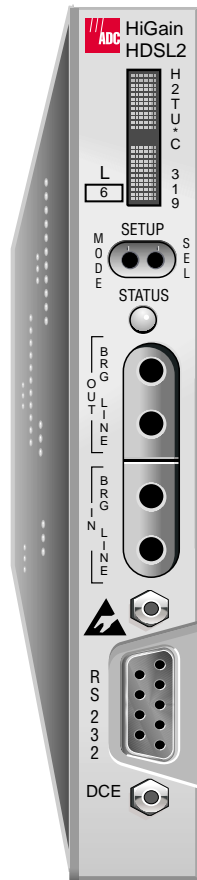


## TECHNICAL PRACTICE



**H2TU-C-319 List 6 Line Unit**  
Product Catalog: H2TU-C-319-L6  
CLEI: VACHWNYG

## Revision History of This Practice

To order copies of this document, use document catalog number LTPH-TP-1054-01.

Issue	Release Date	Revisions Made
1	May 30, 2001	Initial release

## Copyright

*May 30, 2001*

© 2001 ADC DSL Systems, Inc. All rights reserved.

## Trademark Information

*ADC and Soneplex are registered trademarks of ADC Telecommunications, Inc.*

*HiGain is a registered trademark of PairGain Technologies, Inc. No right, license, or interest to such trademarks is granted hereunder, and you agree that no such right, license, or interest shall be asserted by you with respect to such trademark.*

*Other product names mentioned in this practice are used for identification purposes only and may be trademarks or registered trademarks of their respective companies.*

## Disclaimer of Liability

*Information contained in this document is company private to ADC DSL Systems, Inc., and shall not be modified, used, copied, reproduced or disclosed in whole or in part without the written consent of ADC.*

*Contents herein are current as of the date of publication. ADC reserves the right to change the contents without prior notice. In no event shall ADC be liable for any damages resulting from loss of data, loss of use, or loss of profits, and ADC further disclaims any and all liability for indirect, incidental, special, consequential or other similar damages. This disclaimer of liability applies to all products, publications and services during and after the warranty period.*

## USING THIS TECHNICAL PRACTICE

The following conventions are used in this manual:

- Monospace type indicates screen text.
- Keys you press are indicated by small icons such as **Y** or **ENTER**. Key combinations to be pressed simultaneously are indicated with a plus sign as follows: **CTRL** + **ESC**.
- Items you select are in **bold**.
- Three types of messages, identified by icons, appear in text.



**Notes contain information about special circumstances.**



**Cautions indicate the possibility of personal injury or equipment damage.**



**The Electrostatic Discharge (ESD) symbol indicates that a device or assembly is susceptible to damage from electrostatic discharge.**

For a list of abbreviations used in this document, refer to [“Appendix E - Abbreviations”](#) on page 59.

## INSPECTING SHIPMENT

Upon receipt of the equipment:

- Unpack each container and inspect the contents for signs of damage. If the equipment has been damaged in transit, immediately report the extent of damage to the transportation company and to ADC DSL Systems, Inc. Order replacement equipment, if necessary.
- Check the packing list to ensure complete and accurate shipment of each listed item. If the shipment is short or irregular, contact ADC DSL Systems, Inc. as described in [“Returns”](#) on page 58. If you must store the equipment for a prolonged period, store the equipment in its original container.



# TABLE OF CONTENTS

<b>Overview</b> .....	<b>1</b>
Features .....	1
Compatibility .....	2
Applications .....	2
<b>Front Panel</b> .....	<b>4</b>
<b>Installation</b> .....	<b>9</b>
Verification .....	10
Verification without an H2TU-R Remote Unit .....	10
Verification with an H2TU-R Remote Unit .....	10
<b>Provisioning</b> .....	<b>11</b>
Using the MODE and SEL Pushbuttons .....	11
Setting Options through MODE and SEL .....	11
Resetting to Factory Default Values.....	12
Displaying System Parameter Settings.....	12
Disabling an Alarm.....	12
Loopback Modes .....	12
Using a Maintenance Terminal .....	13
Connecting to a Maintenance Terminal.....	13
The Logon Screen.....	13
Provisioning Tasks.....	15
Setting Date and Time .....	15
Setting Circuit ID Numbers .....	16
Configuring the System .....	17
Clearing the History, Alarm, and Event Log Screens .....	24
<b>Monitoring System Activity and Performance</b> .....	<b>25</b>
Using the Monitor Screen to View System Activity.....	25
Using the Performance Screens to View Performance Data.....	27
Performance History at the DS1 Interface.....	27
Current Statistics Screens for the DS1 Interface .....	29
Performance History at the HDSL2 Interface .....	31
Using the Performance Screens to View Alarm Data.....	34
Alarm History at the DS1 Interface .....	34
Alarm History at the HDSL2 Interface.....	36
Using the System Event Log to Track Events .....	37
Event Log Messages .....	38

<b>Testing</b>	<b>39</b>
Front Panel System Alarms .....	39
Alarm Option for the Digital Loop Carrier Feed .....	40
Retiring System Alarms .....	40
Remote LOS and AIS Response .....	41
OCT55 Test Pattern with AMI Line Code .....	41
Loopback Operation .....	42
Generic Loopback Commands .....	43
Special Loopback Commands .....	44
Manual Loopback Session.....	45
Setting the Loopback Time-Out Option.....	45
Activating Manual Loopback Mode .....	45
Loopback Test Procedures .....	46
General Troubleshooting Tips .....	46
GNLB Test Procedures .....	46
A1LB, A2LB, and A5LB Test Procedures .....	48
<b>Appendix A - Specifications</b>	<b>51</b>
Power Consumption .....	52
Maximum Power Dissipation .....	52
Maximum Current Drain .....	52
Loop Attenuation.....	53
H2TU-C-319 List 6 Card-Edge Connector .....	53
Network Management Control Bus .....	54
Fuse Alarm.....	54
System Alarm Output Pin .....	54
Craft Port .....	55
<b>Appendix B - Functional Operation</b>	<b>56</b>
Timing .....	56
Ground Fault Detect .....	56
<b>Appendix C - Compatibility</b>	<b>57</b>
<b>Appendix D - Product Support</b>	<b>58</b>
Technical Support.....	58
Returns.....	58
<b>Appendix E - Abbreviations</b>	<b>59</b>
<b>Certification and Warranty</b>	<b>Inside Back Cover</b>

## LIST OF FIGURES

1. HDSL2 System Model .....	3
2. H2TU-C-319 List 6 Front Panel .....	4
3. Installing the H2TU-C-319 List 6 into a Shelf .....	9
4. Logon Screen .....	14
5. Config Menu - Date and Time .....	15
6. Inventory Screen .....	16
7. Config Menu .....	17
8. Config Menu - Standard Options (defaults shown) .....	18
9. Config Menu - ADC Options (defaults shown) .....	18
10. Config Menu - Set to Factory Defaults .....	23
11. Config Menu - Master Clear .....	24
12. Monitor Screen - Active Loopback with Alarms .....	25
13. H2TU-R DS1 31-Day Performance History .....	27
14. H2TU-R DS1 25-Hour Performance History .....	28
15. H2TU-C DS1 48-Hour Performance History .....	28
16. H2TU-R DS1 Current Statistics .....	29
17. H2TU-C DS1 Current Statistics .....	29
18. H2TU-C HDSL2 31-Day Performance History .....	31
19. H2TU-C HDSL2 48-Hour Performance History .....	31
20. H2TU-C HDSL2 25-Hour Performance History .....	32
21. H2TU-C HDSL2 Current Statistics .....	32
22. H2TU-C DS1 Alarm History Screen .....	34
23. H2TU-R DS1 Alarm History Screen .....	35
24. H2TU-C HDSL2 Alarm History Screen .....	36
25. System Event Log .....	37
26. H2TU-R LOS and AIS Response Priorities .....	41
27. Loopback Summary .....	42
28. Loopback Modes .....	47
29. H2TU-C-319 List 6 Card-Edge Connector .....	53
30. RS-232 Craft Port Pinouts .....	55
31. H2TU-C-319 List 6 Block Diagram .....	56

# LIST OF TABLES

- 1. Front-Panel Description ..... 5
- 2. Front-Panel Display Messages ..... 6
- 3. Navigational Keys for the HiGain HDSL2 Maintenance Terminal Screens..... 13
- 4. Logon Screen Menus ..... 14
- 5. H2TU-C-319 List 6 Standard Config Menu Options ..... 19
- 6. H2TU-C-319 List 6 ADC Config Menu Options..... 20
- 7. DS1/DSX-1 24-hour PM Threshold..... 22
- 8. Monitor Screen Descriptions ..... 26
- 9. Error Acronyms Used on the DS1 Performance History Screens ..... 30
- 10. Error Acronyms Used on the HDSL2 Performance History Screens..... 33
- 11. DS1 Alarm Descriptions ..... 35
- 12. HDSL2 Alarm Descriptions ..... 36
- 13. Event Log Messages..... 38
- 14. Front-Panel System Alarms Summary ..... 39
- 15. Summary of HiGain Loopback Codes and Activation Methods..... 43
- 16. Addressable Repeater Loopback Commands (A1LB, A2LB, A5LB) ..... 48
- 17. Addressable Repeater Loopback Commands (A3LB and A4LB) ..... 50
- 18. H2TU-C-319 List 6 Power Parameters ..... 52
- 19. HDSL2 Cable Attenuation Chart ..... 53



# OVERVIEW

The H2TU-C-319 List 6 is the Central Office (CO) side of a repeaterless T1 transmission system. The system provides 1.544 Mbps transmission on one unconditioned copper pair over the full Carrier Service Area (CSA) range. Enhanced firmware also allows the H2TU-C-319 List 6 to be deployed in Soneplex® Wideband 3190 protection switching applications. These applications must meet the following system requirements: HiGain multiplexers (HXU-358s) using software version 1.04 or higher, an HMU-319 List 7A or List 7C using software version 3.06 or higher, an HRE-206 remote enclosure equipped with a PSC-606 List 1 protection switching controller, and an H2TU-R-402 List 6 remote unit.

## FEATURES

Features specific to the List 6 family of HDSL2 modules include:

- Support for automatic (1 x N) protection switching (APS)

Standard features include:

- HDSL2 transmission features
  - Lightning and power cross-protection on HDSL2 interfaces
  - Full duplex HDSL2 transmission on one pair at 1.552 Mbps
  - Ultra-low wander (Stratum 1 compliant)
  - Grounded loop detection on High-bit-rate Digital Subscriber Line 2 (HDSL2)
- Front-Panel provisioning features
  - Four-character status display
  - DS1 splitting and monitor access
  - Status Light Emitting Diodes (LEDs)
  - MODE and SEL system option buttons
  - RS-232 craft port for connection to a maintenance terminal
- HDSL2 maintenance screens for inventory, provisioning, and troubleshooting
  - DS1 and HDSL2 performance monitoring
  - Non-volatile alarm histories
  - Payload (PL) and HiGain (HG) loopback source identification
  - Margin Alarm (MAL) threshold
- Configuration options
  - Selectable DS1 pre-equalizer
  - Bipolar Violation Transparency (BPVT)
  - Bit Error Rate (BER) alarm
  - Loss of Signal/Alarm Indication Signal (LOS/AIS) payload alarm
  - Remote provisioning
  - Selectable loopback activation codes
- Compatible with 3192 mechanics shelves

- Network Management and Administration (NMA) interface



**DS1 is used throughout this document to refer to either the remote unit's DS1 interface or the line unit's DSX-1 interface.**

## COMPATIBILITY

The H2TU-C is designed to mount in 3192 mechanics shelves. For a list of compatible shelves, see [“Appendix C - Compatibility”](#) on page 57.

## APPLICATIONS

HiGain HDSL2 systems provide a cost-effective, easy-to-deploy method for delivering T1 High Capacity Digital Service (HCDS) over a single copper pair. HiGain HDSL2 systems support a multitude of network connections and system models as shown in [Figure 1](#) on page 3.

- The service is deployed over one unconditioned, non-loaded copper pair.
- Conventional inline DS1 repeaters are no longer required.
- Cable pair conditioning, pair separation and bridged tap removal are not required.

Each loop has no more than 35 dB of loss at 196 kHz with driving and terminating impedances of 135  $\Omega$ . In general, HiGain HDSL2 systems:

- Operate effectively in the same cable binder group with other HDSL2 lines, HDSL, T1, ADSL, SDSL, POTS, DDS, and other transmission schemes.
- Can be used with customers requiring DS1 service on a temporary or permanent basis.
- Provide a means of quickly deploying service in advance of fiber-optic transmission systems.

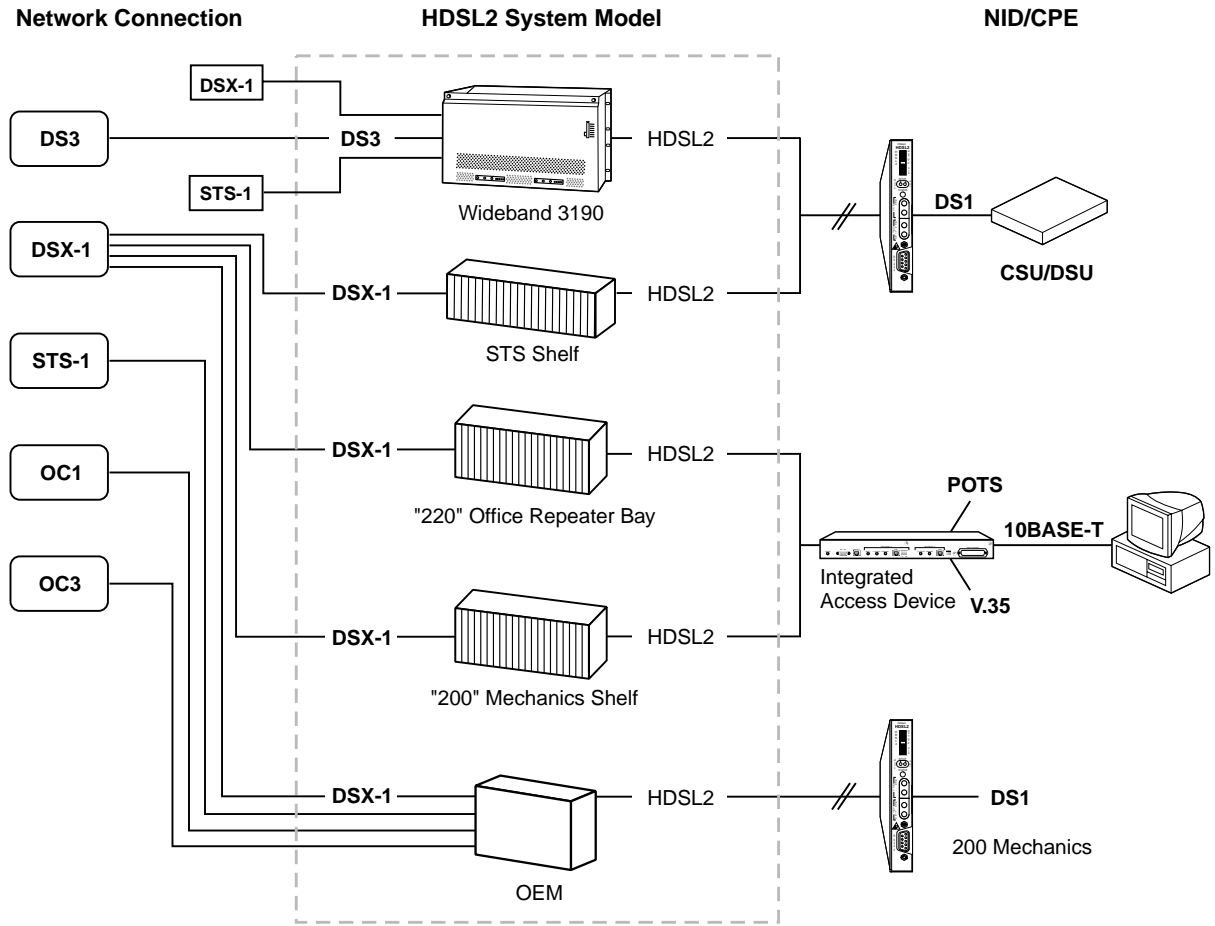


Figure 1. HDSL2 System Model

# FRONT PANEL

Figure 2 shows the H2TU-C-319 List 6 front panel. Table 1 on page 5 describes the front-panel components. For pinout diagrams of the H2TU-C-319 List 6 card-edge connector and craft port, refer to “Appendix A - Specifications” on page 51.

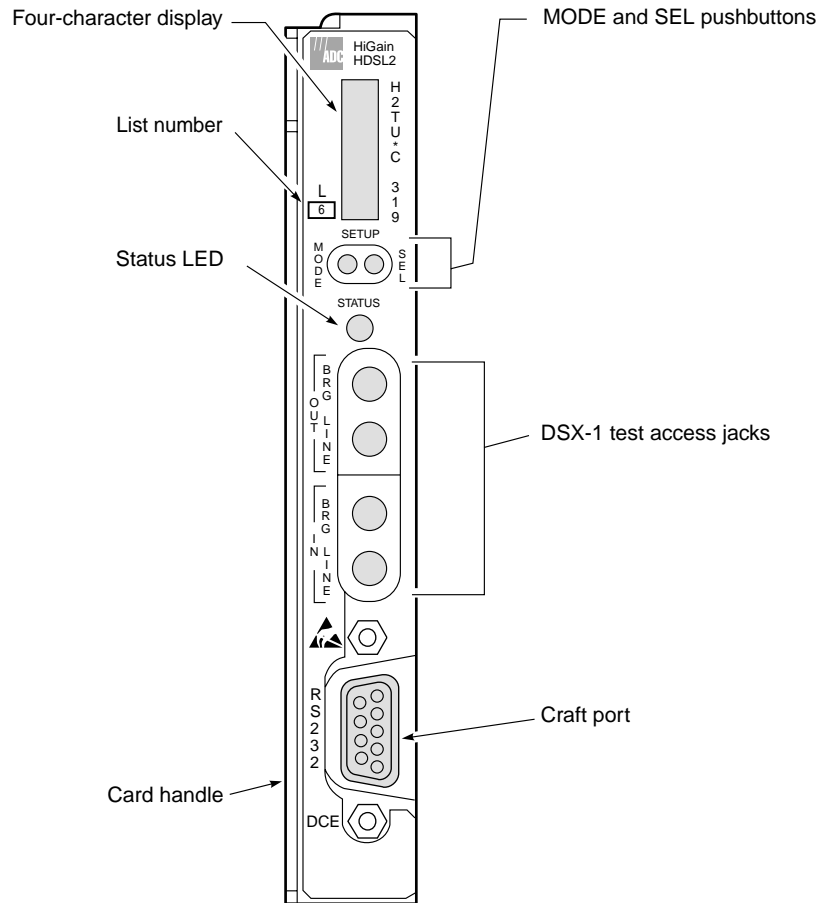


Figure 2. H2TU-C-319 List 6 Front Panel

**Table 1.** *Front-Panel Description*

<b>Front-Panel Feature</b>	<b>Function</b>
Front-panel display	Displays four-character status, provisioning, and alarm system messages. The front-panel display illuminates when power is initially applied. To conserve power the display only remains on for 5 minutes. Using the MODE or SEL pushbuttons reactivates the display and restarts the 5-minute timer. Refer to <a href="#">Table 2 on page 6</a> for a listing of the four-character messages.
MODE and SEL pushbuttons	Permits user options to be monitored and modified without the need of a maintenance terminal. Used to initiate all HiGain loopbacks and test states as well as to display DSX-1 line parameters and line unit identity.
Status LED	The status LED can report the following conditions:
Off	Line power is off.
Green	Normal operation.
Flashing green	HDSL2 acquisition.
Red	Fuse alarm.
Flashing red	System alarm.
Yellow	An H2TU-C Customer Remote Loopback (CREM) or a Network Local Loopback (NLOC) is in effect.
Flashing yellow	H2TU-C is in an Armed state.
Alternating green and red <sup>(a)</sup>	Host alarm reporting disabled and no alarm is present.
Alternating yellow and red <sup>(a)</sup>	Host alarm reporting disabled and system alarm is present.
DSX-1 access jacks	
BRG	Provides non-intrusive bridging jack access to (IN) and from (OUT) the HDSL2 span at the MUX DSX-1 interface.
LINE	Provides splitting jack access to (IN) and from (OUT) the HDSL2 span at the MUX DSX-1 interface. Breaks the IN and OUT paths to permit test signal insertion and retrieval.
Craft port (RS-232)	Provides bidirectional communication between the unit and an external terminal to allow configuration and performance monitoring through the maintenance terminal screens.
CLEI and ECI bar code label	Provides the human-readable Common Language Equipment Identifier (CLEI) code number and the Equipment Catalog Item (ECI) bar code number.
List number	Identifies the list number of the H2TU-C.
(a) When the H2TU-C is managed by a HiGain Management Unit (HMU), and the HMU user disables the H2TU-C alarms, the Status LED will flash green/red when no alarms are present and yellow/red when alarms are present. The HMU will not report any H2TU-C alarms.	

Table 2 lists the front-panel display messages. The four-character display reports the code of an alarm, loopback, or diagnostic message and, in some cases, is followed by a second four-character message that modifies the first message with a value or current configuration setting.

**Table 2.** *Front-Panel Display Messages*

Message	Full Name	Description
<b>ALARM MESSAGES</b>		
ACO	Alarm Cut Off	A system alarm has occurred, and has been retired to an ACO condition by pressing the SEL pushbutton on the H2TU-C front panel.
ALRM	Alarm Condition Exists	A system alarm condition is in effect.
DBER	DS1 Bit Error Rate	A system DS1 BER alarm is in effect and remains in effect until cleared.
HBER	HDSL2 Block Error Rate	A system HDSL2 Block Error Rate alarm is in effect.
LA	Loop Attenuation	Indicates that the attenuation on the HDSL2 loop has exceeded the maximum threshold value.
LAIS	Line Alarm Indication Signal	Indicates an AIS (all ones) pattern is being received or transmitted at the H2TU-C DS1 input or output ports.
LLOS	Local Loss of Signal	Indicates that no signal is detected at the DSX-1 input to the H2TU-C. Causes a system alarm.
LOSW	Loss of Sync Word	Indicates that the HDSL2 loop has lost synchronization.
LRAI	Line RAI	Indicates an RAI alarm (yellow) from the CPE with an error-free signal from the line unit or network.
MAL	Margin Alarm	The margin on HDSL2 loop has dropped below the threshold (0 to 15 dB) as set by the operator.
PWR FEED GND	Power Feed Ground	The HDSL2 loop is grounded.
PWR FEED OPEN	Power Feed Open	Indicates a line power open condition.
PWR FEED SHRT	Power Feed Short	Indicates a short between the Tip and Ring of the HDSL2 pair.
PRMF	Performance Report Messaging - Far End	H2TU-R PRM-FE BER threshold has been exceeded.
PRMN	Performance Report Messaging - Near End	H2TU-R PRM-NE BER threshold has been exceeded.
RAIS	Remote Alarm Indication Signal	Indicates an AIS (all ones) pattern is being received or transmitted at the H2TU-R DS1 input or output ports.
RLOS	Remote Loss of Signal	Indicates that no signal is detected at the DS1 input to the H2TU-R. Causes a system alarm.
RRAI	Remote RAI—Remote Alarm Indication at the H2TU-R (Net signal has errors.)	Indicates an RAI alarm (yellow LED) from the CPE with errors from the line unit or network.
SPN <i>n</i>	Span Number	Accompanies the LOSW alarm and identifies the span where the LOSW alarm occurred.
TUC	Transmission Unit Central Office	Accompanies the HBER, MAL, and LA alarm and indicates that the alarm has occurred at the H2TU-R remote unit.
TUR	Transmission Unit Remote End	Accompanies the HBER, MAL, and LA alarm and indicates that the alarm has occurred at the H2TU-R remote unit.

*Continued*

**Table 2. Front-Panel Display Messages (Cont.)**

Message	Full Name	Description
<b>LOOPBACK MESSAGES</b>		
CLOC	Customer Local Loopback	Signal from customer is looped back to the customer at the H2TU-R.
CREM	Customer Remote Loopback	Signal from customer is looped back to the customer at H2TU-C.
NLOC	Network Local Loopback	DSX-1 signal is looped back to the network at the H2TU-C.
NREM	Network Remote Loopback	DSX-1 signal is looped back to the network at the H2TU-R.
SMJK	Remote SmartJack Loopback	DSX-1 signal is looped back to the network at the H2TU-R SmartJack module.
<b>DIAGNOSTIC MESSAGES</b>		
A = xx	Maximum Loop Attenuation	The Attenuation (A) message appears followed by xx, where xx is the loop attenuation of the longest (maximum loss) span, measured in dB.
ACQ	Acquisition	The multiplexers of the H2TU-C and H2TU-R (or the H2TU-C and first regenerator) are trying to establish synchronization over the HDSL2 loop of Span 1.
A <sub>n</sub> L	Acquisition <i>n</i> Loop	The multiplexers of the two devices on Span <i>n</i> are trying to establish synchronization with each other, where <i>n</i> is the number of the span.
ARM	HiGain System Armed	Armed to respond to Intelligent Repeater Loop (ILR) codes.
BAD RT?	No Response from H2TU-R	The H2TU-C receives no response from the H2TU-R and all HDSL2 loop conditions are normal. Therefore, the integrity of the H2TU-R or the HDSL2 loop is questionable.
FERR	Framing Bit Error Occurred	Framing bit error occurred at H2TU-C DSX-1 input.
FLDL	Flash Download	Flash download of firmware upgrades. Contact Customer Service for upgrade procedures (see <a href="#">"Appendix D - Product Support"</a> on page 58).
HES	HDSL2 CRC Error	H2TU-C HDSL2 Loop Cyclical Redundancy Check (CRC) error.
LBPV	Local Bipolar Violation	A bipolar violation has been received at the DSX-1 input to the H2TU-C.
M=xx	HDSL2 Loop Margin	Indicates the power of the received HDSL2 signal relative to noise (S/N with respect to 21.5 dB). Any value of 6 dB or greater is adequate for reliable system operation.
MNGD	Managed	The H2TU-C is under control of the H2TU-319 Network management unit. In this state, the front-panel craft port and pushbuttons are disabled.
PWR FEED OFF	Power Feed Off	HDSL2 span power has been turned off by setting the PWFD option to off, or HDSL2 span power has been turned off by use of the A2LB Intelligent Office Repeater (IOR) Power Down code.
PWR FEED ON	Power Feed On	Indicates that the HDSL2 loop is not grounded or shorted.
SIG	Signaling	The transceivers of the H2TU-C and H2TU-R (or the H2TU-C and first regenerator) are trying to establish contact with each other over the HDSL2 loop of Span 1.
S <sub>n</sub> L	Signal <i>n</i> Loop	The transceivers of the two devices on Span <i>n</i> are trying to establish contact with each other, where <i>n</i> is the span number.

*Continued*

**Table 2.** *Front-Panel Display Messages (Cont.)*

<b>Message</b>	<b>Full Name</b>	<b>Description</b>
<b>SYSTEM INFORMATION MESSAGES <sup>(a)</sup></b>		
CODE xxxx	Line Code: AMI or B8ZS	The DS1 line code setting: Alternate Mark Inversion (AMI) or Bipolar with 8-Zero Substitution (B8ZS).
FRM xxxx	Frame: SF, ESF, or UNFR	Defines the type of frame pattern being received from the DSX-1: SuperFrame (SF), Extended SuperFrame (ESF), or Unframed (UNFR).
LATT xx	Loop Attenuation	The current loop attenuation threshold setting measured in decibels.
LIST xx	H2TU-C List Number	The list number of the H2TU-C.
MARG xx	Margin	The current margin threshold setting measured in decibels.
VER x.xx	H2TU-C Software Version Number	The software version number (x.xx).
(a) System information messages are displayed in Scroll Mode. To scroll through the messages, press the MODE pushbutton for 3 or more seconds.		



# INSTALLATION

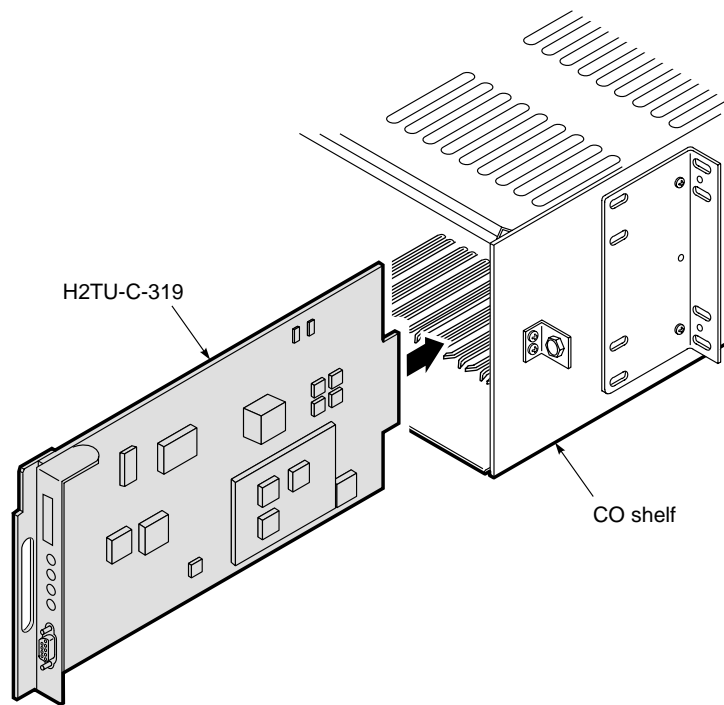


When installing an H2TU-C in a chassis, be sure to wear an antistatic wrist strap. Avoid touching components on the circuit board.

- 1 Align the H2TU-C with the enclosure slot guides, then push the unit in until it touches the backplane card-edge connector.
- 2 Place your thumbs on the H2TU-C front panel, then push the unit firmly into the slot guides until it enters the backplane connector.



To comply with the intrabuilding wiring requirements of GR-1089 CORE, Section 4.5.9, the shields of the ABAM-type cables that connect the H2TU-C DSX-1 output ports to the cross-connect panel must be grounded at both ends.



**Figure 3.** Installing the H2TU-C-319 List 6 into a Shelf

## VERIFICATION

Once the H2TU-C is installed, verify that it is operating properly. To do this, monitor the following:

- Status LED
- Status messages reported by the front-panel display ([Table 2 on page 6](#) lists the status messages).

### Verification without an H2TU-R Remote Unit

If there is no H2TU-R remote unit installed:

- 1 Verify that the H2TU-C powers up. The front-panel display illuminates and reports status messages ([Table 2 on page 6](#) lists the status messages).
- 2 Verify that the H2TU-C attempts to communicate with a remote unit (status LED flashes red). Even if a remote unit is not present, the following events should occur:
  - The front-panel display reports various four-character status messages.
  - The H2TU-C again attempts communication with a remote unit until a remote unit is detected.

### Verification with an H2TU-R Remote Unit

If an H2TU-R remote unit has been installed:

- 1 Verify that the H2TU-C powers up. (The front-panel display illuminates and reports various status messages.)
- 2 Verify that the H2TU-C attempts to communicate with the remote unit (status LED flashes red). One of the following occurs:
  - If the remote unit is successfully identified and the HDSL2 loop synchronizes, the H2TU-C status LED lights a steady green. The H2TU-C reports normal margin messages on the front-panel display.
  - If the remote unit is not identified, the H2TU-C reports four-character status messages. The H2TU-C attempts communication again and reports four-character status messages. The H2TU-C repeats this cycle until a remote unit is detected.
- 3 Verify that a valid DS1 signal has been applied to the H2TU-C and the H2TU-R.
  - If no DS1 signal is being applied to either the H2TU-C or the H2TU-R inputs, then the appropriate DS1 alarms (LLOS or RLOS) display on the front panel and the status LED flashes red.
  - If a valid DS1 signal is being supplied to the H2TU-C and H2TU-R, then DS1 alarm indications should be absent and the status LED should be a steady green.

# PROVISIONING

There are two provisioning methods:

- Use the MODE and SEL pushbuttons on the front panel of the H2TU-C to:
  - Set system options
  - Reset the H2TU-C to its factory default settings for system options
  - Display system option settings (scroll mode)
  - Select system loopbacks
  - Select MTA test mode
- Use a maintenance terminal, such as an ASCII terminal or a PC running terminal emulation software connected to the H2TU-C craft port or an HMU craft port, to access the maintenance screens. [Figure 4 on page 14](#) shows the maintenance screen. This provides full access to all H2TU-C status, history, inventory, and provisioning screens.



**No dip switches or jumpers are required to provision the H2TU-C as it contains a non-volatile RAM (NVRAM) which stores the system option settings. System option settings are retained if shelf power is lost or if the H2TU-C is unplugged.**

## USING THE MODE AND SEL PUSHBUTTONS

### Setting Options through MODE and SEL

To provision the H2TU-C through the MODE and SEL pushbuttons on the front panel:

- 1 Press the MODE pushbutton for 1 second and then release it. The front panel display alternately shows the first system parameter and its current setting.
- 2 Press the SEL pushbutton to step through all possible settings of the selected parameter.
- 3 After the desired setting has been selected, press the MODE pushbutton. This updates the current displayed parameter to the selected setting, then advances to the next configurable parameter. After the last parameter has been selected, a CONF NO message appears on the front-panel display.
- 4 Do one of the following:
  - To cancel the session without saving the requested parameter changes, press the MODE pushbutton or do nothing. After 30 seconds, the display returns to its normal mode without saving the new changes.
  - To accept the requested parameter changes, press the SEL pushbutton. A CONF YES message displays, and the display returns to its normal mode after saving the new changes.

## Resetting to Factory Default Values

All user options for the H2TU-C, described in [Table 5 on page 19](#), can be set to the factory default values using the MODE and SEL pushbuttons. To set the user options to their default values:

- 1 Press the SEL pushbutton for 6 seconds until the following message appears:

DFLT NO

- 2 Press the SEL pushbutton until the DFLT NO message appears.

The message changes to DFLT YES indicating the factory default values are now in effect, and then the display returns to the normal mode.

To terminate the DFLT mode without setting the factory default values, do one of the following:

- Press the MODE pushbutton to return to the normal display mode.
- Wait 30 seconds for the unit to return to the normal display mode.

## Displaying System Parameter Settings

To scroll through the current settings of all system parameters, press the MODE pushbutton for 3 or more seconds. The H2TU-C displays the following parameters:

- H2TU-C software version number
- H2TU-C list number
- Type of frame pattern received from the DSX-1
- Line code of the signal received from the DSX-1
- All user-configured parameter settings
- Loop attenuation threshold setting
- Margin alarm threshold setting

## Disabling an Alarm

System alarms can be disabled by pressing the SEL pushbutton on the H2TU-C front panel. This executes an ACO and returns the H2TU-C to its non-alarm state. For more information, see [“Retiring System Alarms” on page 40](#).

## Loopback Modes

See [“Loopback Operation” on page 42](#) for instructions on using the MODE and SEL pushbuttons to activate loopbacks.

# USING A MAINTENANCE TERMINAL

## Connecting to a Maintenance Terminal

The craft port on the front panel allows you to connect the H2TU-C to a maintenance terminal (ASCII terminal or PC running a terminal emulation program). Once connected to a maintenance terminal, you can access the maintenance, provisioning, and performance screens.

To connect to a maintenance terminal:

- 1 Connect a standard 9-pin terminal cable to the RS-232 craft port, as shown in [Figure 2 on page 4](#), on the front panel.
- 2 Connect the other end of the cable to the serial port on the maintenance terminal.
- 3 Start a terminal emulation program such as Procomm that emulates a VT100 terminal.
- 4 Configure the maintenance terminal to the following communication settings:
  - 9600 baud
  - No parity
  - 8 data bits
  - 1 stop bit
  - Hardware flow control to OFF
- 5 If necessary, press **CTRL** + **R** to refresh the HiGain HDSL2 logon screen.

## The Logon Screen

The HiGain HDSL2 maintenance terminal screens allow you to monitor, provision, and troubleshoot an H2TU-C system.

To select a menu from the HiGain HDSL2 logon screen, shown in [Figure 4 on page 14](#), do one of the following:

- Press the underlined letter of the menu.
- Use the **←** **→** arrow keys to select the menu and press **ENTER**.

[Table 3](#) summarizes the navigational keys. They are also listed in the onscreen Help menu. [Table 4 on page 14](#) describes the Logon screen menus.

**Table 3.** *Navigational Keys for the HiGain HDSL2 Maintenance Terminal Screens*

Key <sup>(a)</sup>	Function
<b>SPACEBAR</b>	Cycle through selections.
<b>ENTER</b>	Activate the current setting or choice, or display a menu.
<b>ESC</b>	Return to the parent menu.
<b>↑</b> or <b>CTRL</b> + <b>E</b>	Select the submenu or item above the current one, or return to the previous menu.
<b>↓</b> or <b>CTRL</b> + <b>X</b>	Select the submenu or item below the current one.
<b>→</b> or <b>CTRL</b> + <b>D</b>	Select the menu or item to the right of the current one.
<b>←</b> or <b>CTRL</b> + <b>S</b>	Select the menu or item to the left of the current one, or return to the previous menu.
<b>CTRL</b> + <b>R</b>	Refresh the screen.

(a) Legacy management units require the use of control keys instead of arrow keys.



Most VT100 emulation programs support a print screen option. For Windows-based programs, such as Procomm or HyperTerminal, see the Help menu for instructions.

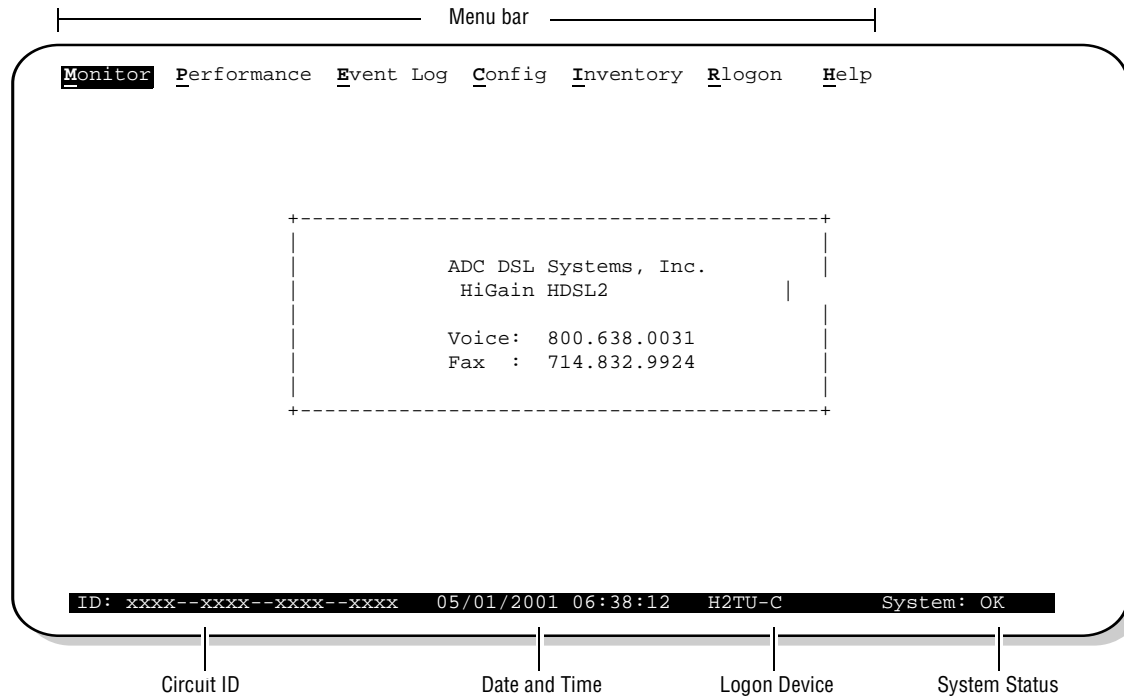


Figure 4. Logon Screen

Table 4. Logon Screen Menus

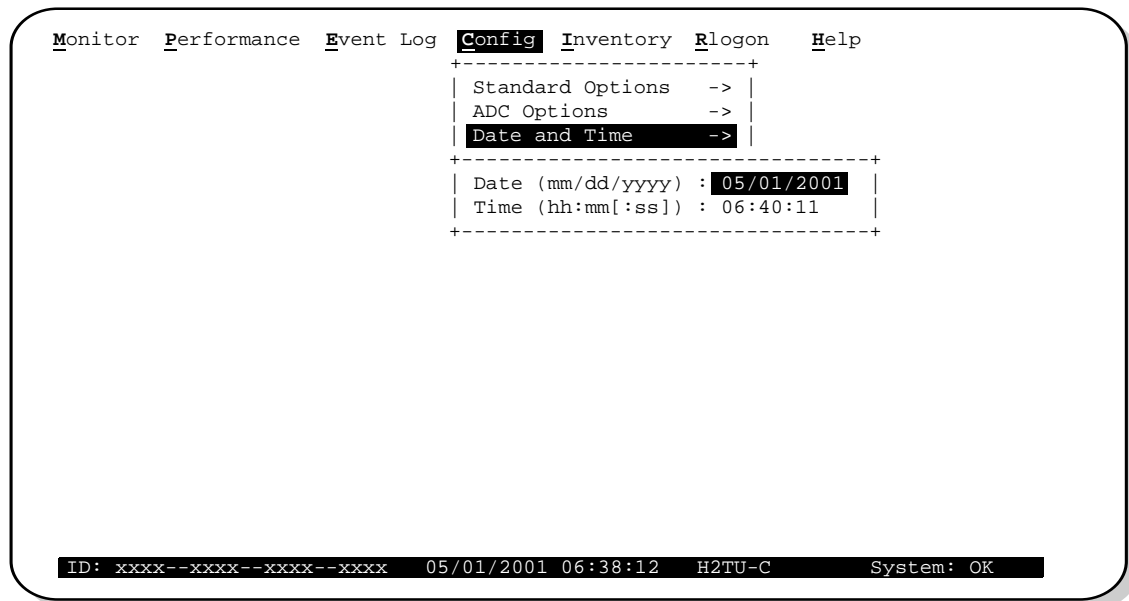
Press this key:	To access this menu:	Menu Functions
<b>M</b>	Monitor	Monitors loopbacks and alarms, and provides a graphical representation of circuit activity, including ES, UAS, SES, and line code.
<b>P</b>	Performance	Provides performance and alarm histories for current, 24-hour, 48-hour, or 31-day periods for either the DS1 or HDSL2 interface.
<b>E</b>	Event Log	Identifies the 100 most recent system events and reports the date and time of occurrence.
<b>C</b>	Config	Provides standard configuration options, ADC options, date and time setting, and a reset option (factory settings). Also provides a master clear option that clears all performance, alarm, and event log entries.
<b>I</b>	Inventory	Provides product information about the various devices that are in the system and lists circuit and device identifications.
<b>R</b>	Rlogon/Rlogout	Remote logon can be performed from the H2TU-C or H2TU-R. The screen displays “ <b>R</b> logout” when the H2TU-C or H2TU-R is remotely logged on to the other unit at the end of the circuit.  To logoff the remote unit, press <b>R</b> . “ <b>R</b> logout” changes to “ <b>R</b> logon”. The unit is now locally logged on until <b>R</b> is pressed again to reinitiate the remote logon.
<b>H</b>	Help	Provides a glossary of terms used in the maintenance screens, a list of navigational keys, and ADC contact information.

## PROVISIONING TASKS

After the H2TU-C is successfully installed, perform these basic provisioning tasks:

- Set date and time (see “Setting Date and Time” on this page).
- Set circuit ID numbers (see “Setting Circuit ID Numbers” on page 16).
- Make any configuration changes (see “Configuring the System” on page 17).
- Clear history, alarm, and event log screens to remove miscellaneous data during startup (see “Clearing the History, Alarm, and Event Log Screens” on page 24).

### Setting Date and Time



*Figure 5. Config Menu - Date and Time*

- 1 Press **C** to select the Config menu.
- 2 Use the **↑** and **↓** arrow keys to select **Date and Time**, then press **ENTER**.
- 3 Type the date in the format indicated, then press **ENTER**.
- 4 Type the time in the format indicated (entering seconds is optional), then press **ENTER**.

## Setting Circuit ID Numbers

The Inventory menu provides product information on all units in the system and allows setting of the circuit and unit identification numbers.

```

Monitor  Performance  Event Log  Config  Inventory  Rlogon  Help

----- Product Information -----
Unit      : H2TU-C          H2TU-R
Product   : H2TU-C-319     H2TU-R-402
List      : 6              6
Sw Ver.   : 2.00           2.00
Build #   : GD             GD
Checksum  : 0x6F2D         0x6F2D
H2 Xcvr   : L1-RA2 1.31    L1-RA2 1.31
Serial #  : 01232456789    0123456789
CLEI     : N/A             N/A
Mfg. Date: 07/05/2000     07/05/2000

----- Circuit and Unit Identifications -----

Circuit ID : xxxx--xxxx--xxxx--xxxx
H2TU-R ID  : xxxx--xxxx--xxxx--xxxx

Enter new ID and press <Enter> to set.
ID: xxxx--xxxx--xxxx--xxxx 05/01/2001 06:42:07 H2TU-C System: OK

```

**Figure 6.** Inventory Screen

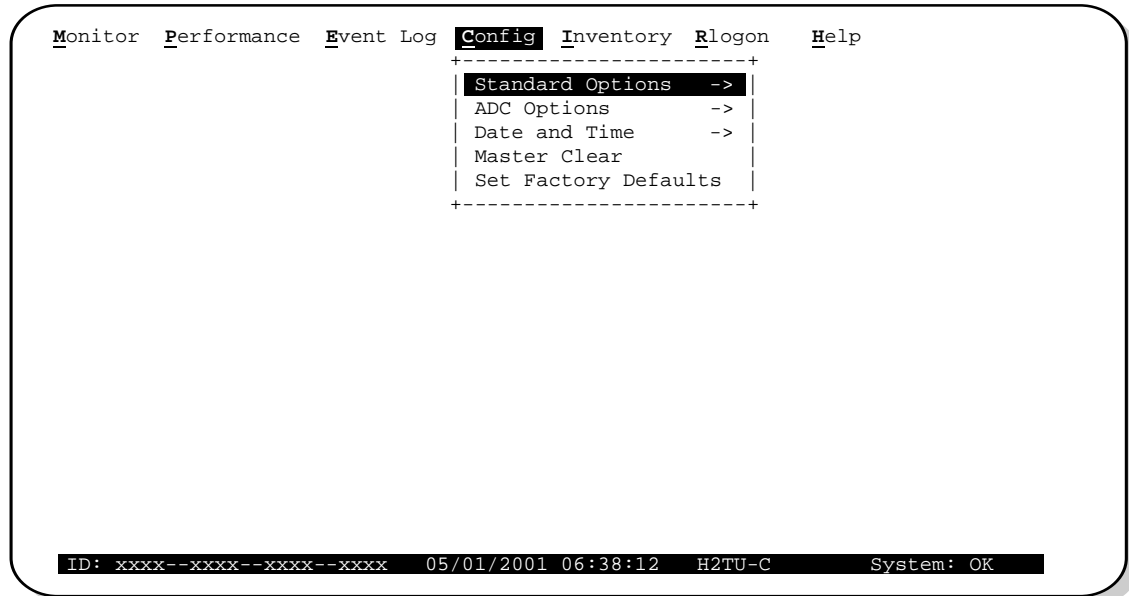
- 1 Press **I** to select the Inventory menu.
- 2 Type the Circuit ID number, then press **ENTER**.
- 3 Type the ID numbers of all other devices listed in the system, pressing **ENTER** after each entry.



## Configuring the System

The Config menu (see [Figure 7](#) below) allows you to make the following changes:

- Standard options (see “Making Changes to Standard and ADC Options” below).
- ADC options (see “Making Changes to Standard and ADC Options” below).
- Date and time (see “Setting Date and Time” on page 15).
- Master clear (see “Clearing the History, Alarm, and Event Log Screens” on page 24).
- Reset to factory default configuration (see “Resetting the H2TU-C” on page 23).



*Figure 7. Config Menu*

### Making Changes to Standard and ADC Options

[Figure 8](#) and [Figure 9](#) on page 18 show the Standard and ADC configuration options. Standard options are those supported by HiGain HDSL2 units when connected to units from other vendors. ADC options are an extended set of options that are only available when using HiGain units exclusively. For a description of each option and a list of possible option settings, refer to [Table 5](#) on page 19 and [Table 6](#) on page 20. To make changes to these options:

- 1 Press **C** to select the Config menu.
- 2 Use the **↑** and **↓** arrow keys to select **Standard Options** or **ADC Options**, then press **ENTER**.
- 3 Use the arrow keys to select an option.
- 4 Press the **SPACEBAR** to cycle through the available settings for that option.
- 5 Press **ENTER** to activate your choice.



The message “May need to change MUX option after changing this option” appears when changing the DS1 Line Coding (DS1) or H2TU-C Equalization (EQL) option in the Standard Options configuration screen. (Applies to HiGain products using multiplexers, such as the Wideband 3190 system.)

```

Monitor  Performance  Event Log  Config  Inventory  Rlogon  Help
      +-----+
      | Standard Options  -> |
      +-----+
      | Loopback Timeout (LBTO)                : 60 min
      | Loop Attenuation Threshold (LATT) [0-40]: 35 dB
      | Margin Threshold (MARG)                [0-15]: 4 dB
      | DS1 Frame Formatting (FRMG)           : ESF
      | DS1 Line coding (DS1)                 : B8ZS
      | H2TU-C Equalization (EQL)             : 0 ft
      | H2TU-R Line Buildout (RLBO)          : 0 dB
      | Alarm Pattern (ALMP)                  : AIS
      | H2TU-R TLOS Loopback (TLOS)          : DIS
      | Network Loopback Pattern (NLBP)      : AIS
      +-----+

Press <Space> to cycle through settings and <Enter> to activate.
ID: xxxx--xxxx--xxxx--xxxx  05/01/2001 06:43:31  H2TU-C  System: OK
    
```

Figure 8. Config Menu - Standard Options (defaults shown)

```

Monitor  Performance  Event Log  Config  Inventory  Rlogon  Help
      +-----+
      | Standard Options  -> |
      | ADC Options      -> |
      +-----+
      | Line Power Feed (PWRF)                 : ON
      | Remote Provisioning (RTPV)            : ENA
      | Bipolar Violation Transparency (BPVT)  : DIS
      | DS1 BER (DBER)                        : DIS
      | HDSL2 BER Threshold (HBER)            : NONE
      | Special Loopback Mode (SPLB)          : GNLB
      | Smartjack Loopback (LPBK)            : ENA
      | Minor Alarm (ALM)                     : DIS
      | Remote Disconnect Alarm (RDA)        : DIS
      +-----+

Press <Space> to cycle through settings and <Enter> to activate.
ID: xxxx--xxxx--xxxx--xxxx  05/01/2001 06:43:31  H2TU-C  System: OK
    
```

Figure 9. Config Menu - ADC Options (defaults shown)

Table 5 describes the Standard Config screen options and lists their front-panel display codes. Table 6 on page 20 describes the ADC Config screen options and lists their front-panel display codes. Selections in bold typeface are the factory default settings.

**Table 5. H2TU-C-319 List 6 Standard Config Menu Options**

Standard Config Menu Options	Front-Panel Display Code	Selection	Description
Loopback Timeout	LBTO	NONE	Disables automatic time-out cancellation of all loopbacks.
		20	Sets automatic cancellation of all loopbacks to 20 minutes after initiation.
		<b>60</b>	Sets automatic cancellation of all loopbacks to 60 minutes after initiation.
		120	Sets automatic cancellation of all loopbacks to 120 minutes after initiation.
Loop Attenuation Threshold	LATT	0 through 40 dB	Determines the maximum loop attenuation before an alarm is declared. Zero disables the alarm. The loop attenuation threshold can only be set through the maintenance screens.
		<b>35 dB</b>	Default value. Zero disables the alarm.
Margin Threshold	MARG	0 to 15 dB	Determines the minimum allowable margin below which a system alarm can occur. Zero disables the alarm. The Margin Alarm Threshold can only be set through the maintenance screens.
		<b>4 dB</b>	Default value.
DS1 Frame Formatting	FRMG	<b>AUTO</b>	Configures the line unit to operate in an auto-framing (AUTO) mode. It detects and locks to both SF or ESF DS1 frame patterns. Line and path performance parameters are maintained and displayed. Unframed payloads will cause the ES-P and SES-P counters to increment.
		SF	Configures the HiGain HDSL2 system to search for the SF framing pattern at its DS1 input.
		ESF	Configures the HiGain HDSL2 system to search for the ESF framing pattern at its DS1 input.
		UNFR	Configures the same as AUTO except unframed payloads do not cause the ES-P and SES-P counters to increment.
DS1 Line Coding	DS1	<b>AUTO</b>	The H2TU-C and H2TU-R monitor the incoming DS1 bit streams for the B8ZS code. If the H2TU-R detects this code, the H2TU-C enters B8ZS output mode. The H2TU-C reverts back to AMI output mode if no B8ZS codes are received at the H2TU-R input for 5 seconds. Similarly, when the H2TU-C detects the B8ZS code, the H2TU-R enters the B8ZS mode and returns to AMI mode if no B8ZS code is received at the H2TU-C input for 5 seconds.
		B8ZS	Places both the H2TU-C and H2TU-R into their B8ZS modes.
		AMI	Places both the H2TU-C and H2TU-R into their AMI modes.
H2TU-C Equalization See "H2TU-C Equalization (EQL) Option." on page 22.	EQL	<b>0</b>	Sets the Equalizer to DSX-1 for 0 to 132 feet.
		133	Sets the Equalizer to DSX-1 for 133 to 265 feet.
		266	Sets the Equalizer to DSX-1 for 266 to 398 feet.
		399	Sets the Equalizer to DSX-1 for 399 to 532 feet.
		533	Sets the Equalizer to DSX-1 for 533 to 655 feet.
H2TU-R Line Buildout	RLBO	<b>0 dB</b>	Sets the DS1 RLBO level toward the Customer Interface (CI).
		-7.5 dB	Sets the DS1 RLBO level toward the CI to -7.5 dB.
		-15 dB	Sets the DS1 RLBO level toward the CI to -15 dB.

*Continued*

**Table 5. H2TU-C-319 List 6 Standard Config Menu Options (Cont.)**

Standard Config Menu Options	Front-Panel Display Code	Selection	Description
Alarm Pattern	ALMP	<b>AIS</b>	Enables the HiGain HDSL2 system to output an AIS payload at its DS1 ports for LOSW and LOS DS1. For priority resolution, see <a href="#">Figure 26 on page 41</a> for LOS/AIS response priorities.
		LOS	Enables the HiGain HDSL2 system to output an LOS condition at its DS1 ports for LOSW and LOS DS1.
H2TU-R TLOS Loopback	TLOS	<b>ENA</b>	Enables a logic loopback at the H2TU-R when an LOS occurs at its DS1 input, if enabled at the H2TU-R. For priority resolution, see <a href="#">Figure 26 on page 41</a> .
		<b>DIS</b>	Disables TLOS logic loopback.
Network Loopback Pattern	NLBP	<b>AIS</b>	Enables the H2TU-R to transmit an AIS towards CI for any network loopback. For priority resolution, see <a href="#">Figure 26 on page 41</a> .
		LOS	Enables the H2TU-R to transmit LOS toward the CI for any network loopback.

**Table 6. H2TU-C-319 List 6 ADC Config Menu Options**

ADC Config Menu Options	Front-Panel Display Code	Selection	Description
Line Power Feed	PWRF	OFF	Disables powering to the HDSL2 pair.
		<b>ON</b>	Keeps the HDSL2 line voltage at nominal -185 Vdc.
Remote Provisioning	RTPV	<b>ENA</b>	Enables remote provisioning.
		DIS	Disables remote provisioning.
Bipolar Violation Transparency See “Bipolar Violation Transparency (BPVT) Option” on page 22.	BPVT	<b>ENA</b>	Enables BPVs and HDSL2 CRC errors at the DS1 input to be converted into DS1 BPVs at the DS1 output at the distant end. This makes HiGain HDSL2 transparent to BPVs.
		<b>DIS</b>	Disables BPV Transparency.
DS1 BER Threshold See “DS1 BER (DBER) Option” on page 22.	DBER	<b>ENA</b>	Enables the fixed 24-hour DS1 BER threshold.
		<b>DIS</b>	Prevents the generation of a system alarm due to DS1 BER.
HDSL2 BER Threshold See “HDSL2 BER Threshold (HBER) Option” on page 22 and “System Alarm Output Pin” on page 54.	HBER	1E-6	System alarm relay contact closes and the Status LED flashes red when the Block Error Rate (BER) exceeds 10 <sup>-6</sup> .
		1E-7	System alarm relay contact closes and the Status LED flashes red when BER exceeds 10 <sup>-7</sup> .
		<b>NONE</b>	Prevents generation of a system alarm due to BER.
Special Loopback Mode	SPLB	<b>GNLB</b>	Configures the HiGain HDSL2 system to respond to the generic inband loopback codes.
		A1LB and A2LB	Configures the HiGain HDSL2 system to respond to the inband loopback codes of the Teltrend addressable repeater.
		A3LB	Configures the HiGain HDSL2 system to respond to the inband loopback codes of the Wescom addressable repeater.
		A4LB	Configures the HiGain HDSL2 system to respond to the inband loopback codes of the Wescom Mod 1 addressable repeater.
		A5LB	Configures the HiGain HDSL2 system to respond to the inband loopback codes of the Teltrend Mod 1 addressable repeater.

*Continued*

**Table 6.** H2TU-C-319 List 6 ADC Config Menu Options (Cont.)

ADC Config Menu Options	Front-Panel Display Code	Selection	Description
SmartJack Loopback	LPBK	<b>ENA</b>	Enables the HiGain HDSL2 system to recognize all inband SmartJack loopback commands.
		<b>DIS</b>	Configures the HiGain HDSL2 system to ignore all inband SmartJack loopback commands.
Minor Alarm	ALM	<b>ENA</b>	Enables the generation of the output alarm on pin H when a system alarm condition occurs.
		<b>DIS</b>	Disables the generation of the output alarm on pin H when a system alarm condition occurs.
Remote Disconnect Alarm	RDA	<b>ENA</b>	Enables a remote DS1 LOS condition at the input to the H2TU-R to generate an LOS alarm. AIS or LOS (depending on ALMP) is sent towards the network.
		<b>DIS</b>	Prevents a remote DS1 LOS condition at the input to the H2TU-R from causing an LOS alarm. The front-panel Status LED still flashes red and the ALRM RLOS message is displayed, but the alarm output on pin H (-48 V) is not asserted and AIS is sent towards the network from the H2TU-C.  When the H2TU-C is managed by a HiGain Management Unit (HMU), and RDA is disabled, only HDSL2 alarms will be reported by the HMU.

**HDSL2 BER Threshold (HBER) Option.** The HBER option permits the monitoring of loop integrity and reporting of alarms when excessive errors are detected. The PM primitive used for this purpose is the CRC checksum performed on the HDSL2 frame for both directions of transmission. It is, therefore, called a block error rate rather than the bit error rate associated with the DS1 interface. The CRC errors and counts are displayed on the monitor screen for both the H2TU-C and H2TU-R. The HBER option allows an alarm to be generated if the total number of CRCs at either the H2TU-C or H2TU-R exceeds the selected BER threshold during the last 1-minute interval.

- HBER option = 1E-6. Alarm is generated if CRC > 93
- HBER option = 1E-7. Alarm is generated if CRC > 9

Once initiated, the HBER count clears when the CRC count drops below the selected threshold. Selecting NONE inhibits this alarm.

**DS1 Line Coding (DS1) Option.** The DS1 line code option should always be set to conform to the type of DS1 service (AMI or B8ZS) being provided by the HiGain system. The Auto mode, which can adapt to either AMI or B8ZS, should only be used in applications that require it (such as when HiGain acts as a standby circuit to DS1 circuits whose line codes are not known or may be both AMI and B8ZS). This is because the Auto mode induces one BPV in the DS1 bit stream whenever it switches from AMI to B8ZS. The Auto mode allows both the H2TU-C and the H2TU-R to set its DS1 output code to that which is being received at the distant end DS1 input. This forces the input and the output codes in each direction of transmission to be identical.

**H2TU-C Equalization (EQL) Option.** Equalization is the configuration of system transmission characteristics within specified limits. An adaptive equalizer inserts a frequency-shaped loss that corresponds to an equivalent addition of an appropriate cable length. By simulating the additional cable loss necessary for correct operation, the equalizer compensates for a range of variation in transmission path characteristics.

**Bipolar Violation Transparency (BPVT) Option.** The H2TU-C improves compatibility with Digital Loop Carrier (DLC) feeder applications because of its ability to transmit DS1 BPV occurrences between its DS1 interfaces. This feature is required to support protection switching in DLC applications. Each DLC terminal must be able to monitor the integrity of its Receive DS1 payload and then switch to the protect line when the integrity of the path drops below specific user selected limits. An essential requirement of this feature is the need for each DLC terminal to detect BPVs in its DS1 input. Standard HDSL systems correct DS1 BPVs at the input and therefore prevent them from being detected by the DLC terminals to which they are connected. The H2TU-C and its associated remote units remove this limitation and become BPV transparent by detecting and counting input BPVs at each end and then by replicating them at the DS1 output port of the distant end.

The BPV count is converted into BPVs at the distant end during the following second at a rate of 1 BPV every 128 DS1 bits up to a maximum of 12000 ( $BER = 7.7 \times 10^{-3}$ ). This maximum rate is more than adequate since it exceeds the maximum  $10^{-3}$  BER required by most DLC systems.

**DS1 BER (DBER) Option.** The DS1 BER alarm occurs when any of the DS1 or DSX-1 performance monitoring parameters listed in [Table 7](#) exceed the counts shown for the 24-hour period between 12:00:00 AM through 11:59:59 PM. These thresholds correspond to a  $10^{-6}$  BER. All PM counters clear to zero at 12:00:00 AM or when Master Clear is selected. See “[Clearing the History, Alarm, and Event Log Screens](#)” on page 24.

*Table 7. DS1/DSX-1 24-hour PM Threshold*

Parameter	Threshold Count
CV-L (BPV)	133,400
CV-P (CRC in ESF)	132,960
CV-P (FE in SF)	691
ES-L, ES-P, PRM-NE, PRM-FE	648
SES-L, SES-P	100
UAS-P, UAS-L	10

## Resetting the H2TU-C



Resetting the H2TU-C to its original factory settings may cause interruption of service.

To reset the H2TU-C to its original factory defaults:

- 1 Press **C** to select the Config menu.
- 2 Use the **↑** and **↓** arrow keys to select **Set Factory Defaults**, then press **ENTER**.
- 3 Press **Y** if you want to reset the H2TU-C, or press **N** to cancel this action.

```

Monitor  Performance  Event Log  Config  Inventory  Rlogon  Help
+-----+
| Standard Options  -> |
| ADC Options      -> |
| Date and Time    -> |
| Master Clear     |
| Set Factory Defaults |
+-----+

SETTING FACTORY DEFAULTS . . . SERVICE *MAY* BE INTERRUPTED! ARE YOU SURE (Y/N)?
ID: xxxx--xxxx--xxxx--xxxx  05/01/2001 06:38:12  H2TU-C      System: OK

```

*Figure 10. Config Menu - Set to Factory Defaults*

## Clearing the History, Alarm, and Event Log Screens

Select Master Clear to clear the History, Alarm and Event Log screens after the system has been installed and is functioning properly. This removes miscellaneous data acquired during the startup session and ensures that you have meaningful data thereafter.

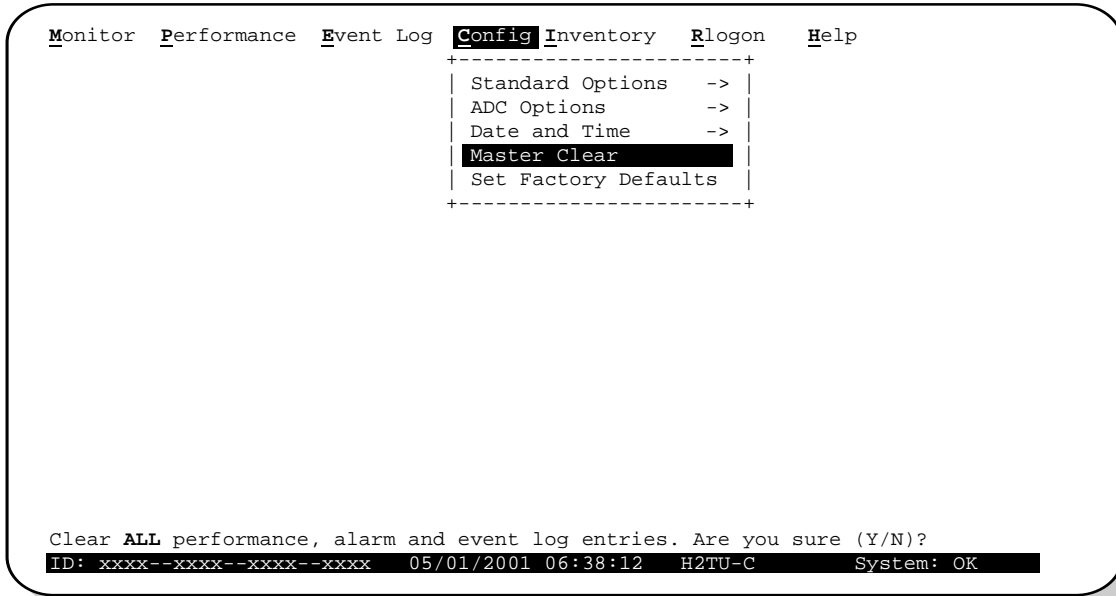


Figure 11. Config Menu - Master Clear

To clear the Event Log, press **E** to select the Event Log screen, then press **L** to clear the screen.

To clear an individual history or alarm screen, do the following:

- 1 Press **P** to select the Performance screen.
- 2 Press the **SPACEBAR** to select an interface (**H2TU-C DS1**, **H2TU-R DS1**, **H2TU-C HDSL2**, or **H2TU-R HDSL2**), then press **ENTER**.
- 3 Press the **SPACEBAR** to select the type of statistics (**Current**, **Alarm History**, **25-Hour History**, **48-Hour History**, or **31-Day History**), press **ENTER** after your selection.
  - Selecting **31 Day History** allows you to clear the Current, 25-Hour, 48-Hour, and 31-Day performance history screens for the selected interface.
  - Selecting **Alarm History** allows you to clear the alarm history screen for the selected interface. For information about the DS1 and HDSL2 alarm screens, see [Table 11 on page 35](#).
- 4 Press **L** to clear the screen.

To clear all history, alarm, and event log screens:

- 1 Press **C** to select the Config screen.
- 2 Use the **↑** and **↓** arrow keys to select **Master Clear**.
- 3 Press **Y** to clear all screens.





- 3 To initiate a loopdown of all active loopbacks, press the **SPACEBAR** to select **LPDN**, then press **ENTER**. When prompted with the message: Are you sure (Y/N)?, press **Y** to initiate the loopdown or **N** to cancel.

*Table 8. Monitor Screen Descriptions*

Field	Description
Active Loopback	An active loopback is indicated on the lower third of the Monitor screen. Available loopbacks are indicated by gray text. See <a href="#">Table 15 on page 43</a> for a summary of the HiGain HDSL2 generic loopback codes and activation methods.
Alarm Type	Indicates type of alarm.
Armed Mode	Indicates system is in an armed state and ready for an intelligent repeater (IR) loopback command.
DS1 ES Count	Errored Seconds—The sum of the Errored Seconds-Line (ES-L) and Errored Seconds-Path (ES-P) counts detected on the DS1 input over a 24-hour period. Errors included are: DS1 frame errors, BPV, and ESF CRC errors.
DS1 SES Count	Severely Errored Seconds—The sum of the DS1 Severely Errored Seconds-Line (SES-L) and Severely Errored Seconds-Path (SES-P) counts over the last 24 hours.
DS1 UAS Count	Unavailable Errored Seconds—The number of seconds during which the DS1 input signal was absent over a 24-hour period.
Frame Type	Type of DS1 framing used on the input stream (SF, ESF, or UNFR).
HDSL2 ES Count	Errored Seconds—The number of 1-second intervals that contained at least one CRC or LOSW error. This value is a running total of the last 24 Hours.
HDSL2 SES Count	Severely Errored Seconds—The number of 1-second intervals that contain at least 50 CRC errors or one or more LOSW defects. (An LOSW defect occurs when at least three consecutive HDSL frames contain one or more frame bit errors.) This value is a running total of the last 24 hours.
HDSL2 UAS Count	Unavailable Errored Seconds—The number of seconds the HDSL2 loop is unavailable. This occurs after 10 contiguous HDSL SES and is retired after 10 contiguous non-SES seconds. This value is a running total of the last 24 hours.
ID	Circuit identification (ID) number.
LA	Loop Attenuation—Indicates the attenuation of the Overlapped Pulse Amplitude Modulation Transmission with Interlocking Spectra (OPTIS) pulse from the distant end. The value is related to the 196 kHz loss of the cable pair. The loop attenuation is a more direct indication of the loop attenuation to the OPTIS signal than is the 196 kHz loss. The normal HiGain HDSL2 LA operation range is from 0 to 40 dB.
LPF	Line Power Feed—Indicates the HDSL2 line power is on.
M	Margin—The signal-to-noise ratio at all HDSL2 ports, relative to a 10 <sup>-7</sup> Bit Error Rate.
MAL	Margin Alarm—Indicates the margin on HDSL2 loop has dropped below the threshold (0 to 15dB) as set by the operator.
HG (or PL)	HG displays when the loopback was initiated from a HiGain (HG) front panel or by a HiGain maintenance terminal loopback command. PL displays when the loopback was initiated by a command embedded in the DS1 data path payload (PL).
PRM	The sum of the Performance Report Messaging-Near End (PRM-NE) and Performance Report Messaging-Far End (PRM-FE) counts.
System Status	The presence or absence of an alarm condition is indicated on the lower right corner of all screens. <b>System: OK</b> indicates that there are no alarms present; <b>System: Alarm</b> indicates the presence of an alarm. Refer to <a href="#">“Using the Performance Screens to View Alarm Data” on page 34</a> .

## USING THE PERFORMANCE SCREENS TO VIEW PERFORMANCE DATA

The Performance screens display:

- CRC statistics for the HDSL2 or DS1 interface in 31-day, 48-hour, 25-hour, and current history reports.
- Alarm statistics for the DS1 interfaces (Figure 22 on page 34 and Figure 23 on page 35) or DS1 interfaces (Figure 23 on page 35) on a continuous basis.

To access the performance history screens:

- 1 Press **P** to select the Performance screen.
- 2 Press the **SPACEBAR** to select an interface (**H2TU-C DS1**, **H2TU-R DS1**, **H2TU-C HDSL2**, or **H2TU-R HDSL2**), then press **ENTER**.
- 3 Press the **SPACEBAR** to select the type of statistics (**Current**, **Alarm History**, **25-Hour History**, **48-Hour History**, or **31-Day History**), then press **ENTER**.

### Performance History at the DS1 Interface

The Performance History for the DS1 interface provides 31-day, 48-hour, 25-hour, and current statistics screens for the H2TU-C and the H2TU-R (as viewed from the H2TU-C).

Figure 13 below and Figure 14 on page 28 are examples of DS1 performance history screens at the remote unit. Figure 15 on page 28 is an example of DS1 performance history screens at the line unit. Refer to Table 9 on page 30 for descriptions of the kinds of errors reported on DS1 interface screens. Asterisks indicate performance monitoring from the previous day.

Monitor **Performance** Event Log Config Inventory Rlogon Help

H2TU-R DS1 31 Day History (Page 1 of 3)

Date	ES-L	SES-L	UAS-L	CV-L	CV-P	ES-P	SES-P	UAS-P	PRM-NE	PRM-FE
02/09	-	-	-	-	-	-	-	-	-	-
02/10	-	-	-	-	-	-	-	-	-	-
02/11	-	-	-	-	-	-	-	-	-	-
02/12	-	-	-	-	-	-	-	-	-	-
02/13	-	-	-	-	-	-	-	-	-	-
02/14	-	-	-	-	-	-	-	-	-	-
02/15	-	-	-	-	-	-	-	-	-	-
02/16	-	-	-	-	-	-	-	-	-	-
02/17	-	-	-	-	-	-	-	-	-	-
02/18	-	-	-	-	-	-	-	-	-	-
02/19	-	-	-	-	-	-	-	-	-	-
02/20	14	10	10	12	10	10	0	0	0	0
02/21	0	0	0	2	0	0	0	0	0	0

Press: (N)ext Page, (P)revious Page, C(l)ear History

Press <Space> to cycle through Interface : **H2TU-R DS1**  
 choices and <Enter> to view Statistics : 31 Day History  
 ID: xxxx--xxxx--xxxx--xxxx 05/01/2001 07:05:33 H2TU-C System: OK

Figure 13. H2TU-R DS1 31-Day Performance History

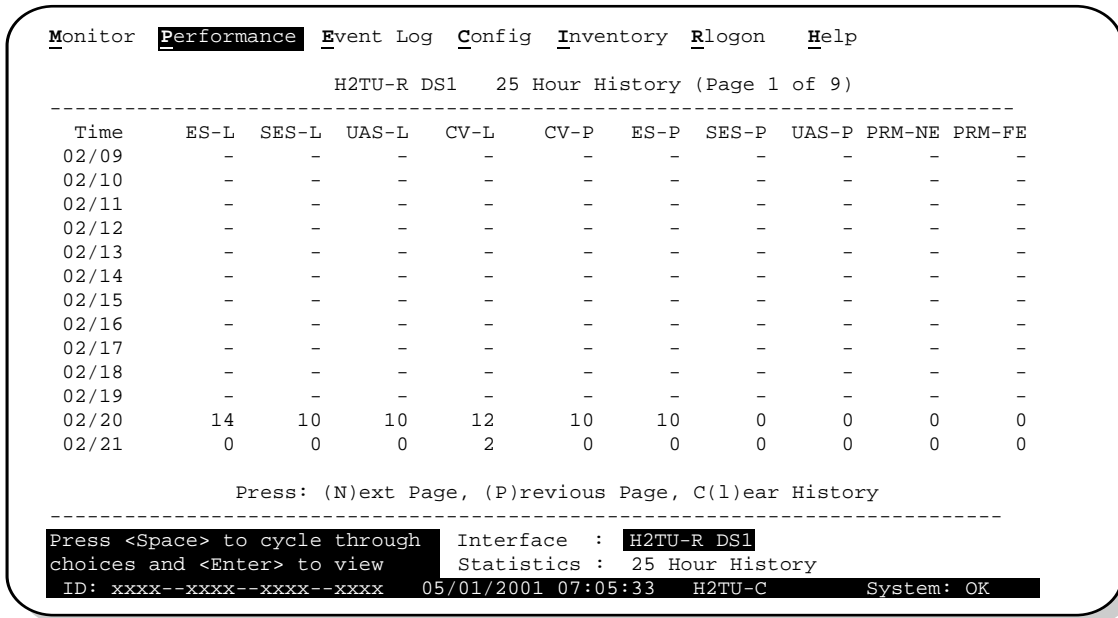


Figure 14. H2TU-R DS1 25-Hour Performance History

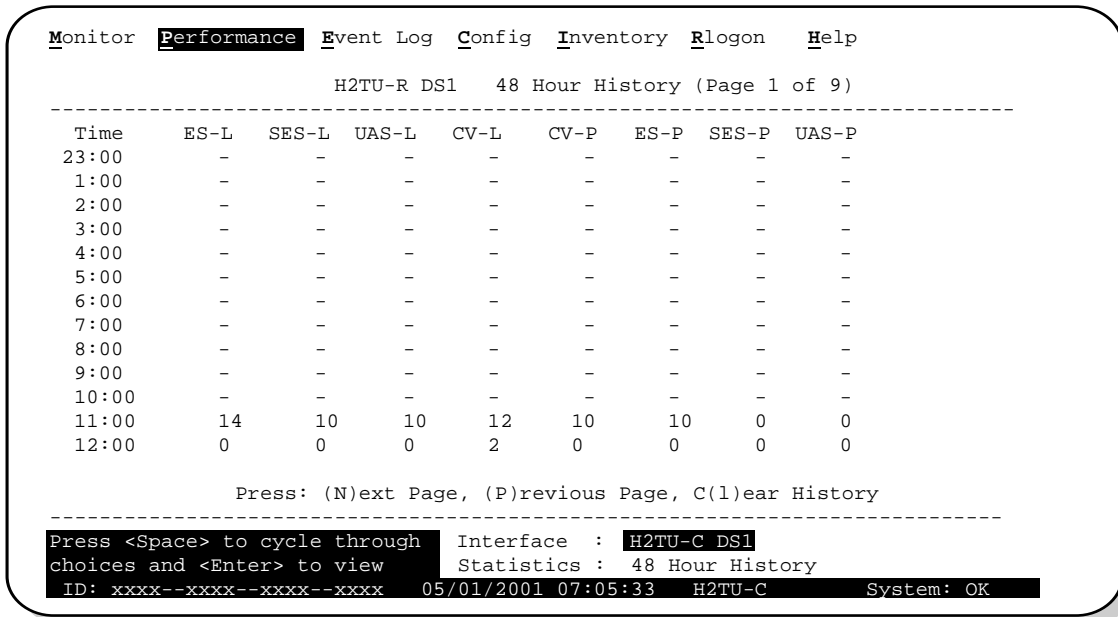


Figure 15. H2TU-C DS1 48-Hour Performance History

## Current Statistics Screens for the DS1 Interface

Examples of current statistics screens are shown below. [Figure 16](#) and [Figure 17](#) show statistics for the DS1 interface at the remote unit and the line unit, respectively. These screens report 1-day, 1-hour, and 15-minute statistics. Refer to [Table 9 on page 30](#) for descriptions of the kinds of errors reported on these screens.

```

Monitor Performance Event Log Config Inventory Rlogon Help
-----
H2TU-R DS-1 Current Statistics
-----
Start      1 Day    1 Hour    15 Min
          00:00    12:00    12:30
ES-L           0         0         0
SES-L           0         0         0
UAS-L           0         0         0
CV-L           0         0         0
CV-P           0         0         0
ES-P           0         0         0
SES-P           0         0         0
UAS-P           0         0         0
PRM-NE         0         0         0
PRM-FE         0         0         0
B8ZSS           0         0         0
MSEC          3482        1801         1
          Press: C(1)ear Current Statistics
-----
Press <Space> to cycle through Interface : H2TU-R DS1
choices and <Enter> to view   Statistics : Current
ID: xxxx--xxxx--xxxx--xxxx 05/01/2001 07:05:33 H2TU-C System: OK

```

**Figure 16.** H2TU-R DS1 Current Statistics

```

Monitor Performance Event Log Config Inventory Rlogon Help
-----
H2TU-C DS-1 Current Statistics
-----
Start      1 Day    1 Hour    15 Min
          00:00    12:00    12:30
ES-L           0         0         0
SES-L           0         0         0
UAS-L           0         0         0
CV-L           0         0         0
CV-P           0         0         0
ES-P           0         0         0
SES-P           0         0         0
UAS-P           0         0         0

B8ZSS           0         0         0
MSEC          3482        1801         1
          Press: C(1)ear Current Statistics
-----
Press <Space> to cycle through Interface : H2TU-C DS1
choices and <Enter> to view   Statistics : Current
ID: xxxx--xxxx--xxxx--xxxx 05/01/2001 07:05:33 H2TU-C System: OK

```

**Figure 17.** H2TU-C DS1 Current Statistics

**Table 9.** Error Acronyms Used on the DS1 Performance History Screens

Error Acronym	Description	Error Acronym	Description
CV-L	Code Violation - Line Total BPV count.	SES-P	Severely Errored Seconds - Path Seconds with SEF or CRC(ESF) $\geq 320$ or $FE^{(d)}(SF) \geq 8 (F_T + F_S)$ .
ES-L	Errored Seconds - Line Seconds with BPV $\geq 1$ .	UAS-P	Unavailable Seconds - Path A second of unavailability based on SES-P or AIS $\geq 1$ .
SES-L	Severely Errored Seconds - Line Seconds with BPV plus EXZ $\geq 1544$ or LOS $\geq 1$ .	PRM-NE <sup>(a)</sup>	Performance Report Monitoring - Near End The PRM from CPE indicates errors, and the signal received from the network at the remote is error-free.
UAS-L	Unavailable Seconds - Line Seconds with LOS $\geq 1$ .	PRM-FE <sup>(a)</sup>	Performance Report Monitoring - Far End The PRM from the network indicates errors, and the signal received from the CPE is error-free.
CV-P	Code Violation - Path Total count of FE errors for SF or CRC-6 errors for ESF.	B8ZSS <sup>(b)</sup>	B8ZS Monitored Seconds Seconds with B8ZS detection when AMI option is active.
ES-P	Errored Seconds - Path Seconds with SEF <sup>(c)</sup> , CRC(ESF), or $FE^{(d)}(SF) \geq 1$ .	MSEC <sup>(b)</sup>	Monitored Seconds of the current (15 minute/1 hour/1 day) screen.

(a) Only displays on H2TU-R Performance History screens.

(b) Displays on the DS1 Current Statistics screens.

(c) Severely Errored Frame—Two or more frame bit errors occurring in a 0.75 ms interval for SF or a 3 ms interval for ESF.

(d) FE is a frame bit error.

## Performance History at the HDSL2 Interface

The HDSL2 interface has 31-day, 48-hour, 25-hour, and current statistic screens for the H2TU-C. Figure 18 and Figure 19 below are examples of 31-day and 48-hour performance history screens. Figure 20 on page 32 is an example of a 25-hour performance history screen. Refer to Table 10 on page 33 for descriptions of the kinds of errors reported on all HDSL2 performance screens. Asterisks indicate performance monitoring from the previous day.

```

Monitor  Performance  Event Log  Config  Inventory  Rlogon  Help
                                     H2TU-C HDSL2 31 Day History (Page 1 of 3)
-----
Date      ES      SES      CV      UAS      LOSWS
02/09     -      -      -      -      -
02/10     -      -      -      -      -
02/11     -      -      -      -      -
02/12     -      -      -      -      -
02/13     -      -      -      -      -
02/14     -      -      -      -      -
02/15     -      -      -      -      -
02/16     -      -      -      -      -
02/17     -      -      -      -      -
02/18     -      -      -      -      -
02/19     -      -      -      -      -
02/20     14     10     10     12     10

Press: (N)ext Page, (P)revious Page, C(l)ear History
-----
Press <Space> to cycle through  Interface : H2TU-C HDSL2
choices and <Enter> to view      Statistics : 31 Day History
ID: xxxx--xxxx--xxxx--xxxx  05/01/2001 07:05:33  H2TU-C      System: OK

```

Figure 18. H2TU-C HDSL2 31-Day Performance History

```

Monitor  Performance  Event Log  Config  Inventory  Rlogon  Help
                                     H2TU-C HDSL2 48 Hour History (Page 1 of 4)
-----
Time      ES      SES      CV      UAS      LOSWS
23:00     -      -      -      -      -
1:00      -      -      -      -      -
2:00      -      -      -      -      -
3:00      -      -      -      -      -
4:00      -      -      -      -      -
5:00      -      -      -      -      -
6:00      -      -      -      -      -
7:00      -      -      -      -      -
8:00      -      -      -      -      -
9:00      -      -      -      -      -
10:00     -      -      -      -      -
11:00     14     10     10     12     10
12:00     0      0      0      0      0

Press: (N)ext Page, (P)revious Page, C(l)ear History
-----
Press <Space> to cycle through  Interface : H2TU-C HDSL2
choices and <Enter> to view      Statistics : 48 Hour History
ID: xxxx--xxxx--xxxx--xxxx  05/01/2001 07:05:33  H2TU-C      System: OK

```

Figure 19. H2TU-C HDSL2 48-Hour Performance History

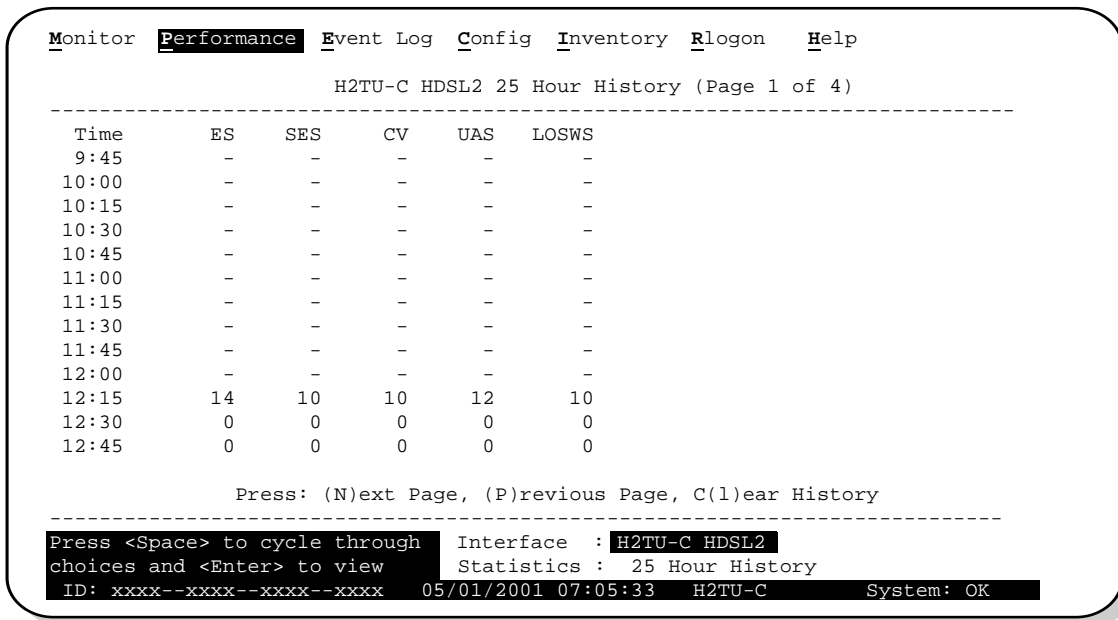


Figure 20. H2TU-C HDSL2 25-Hour Performance History

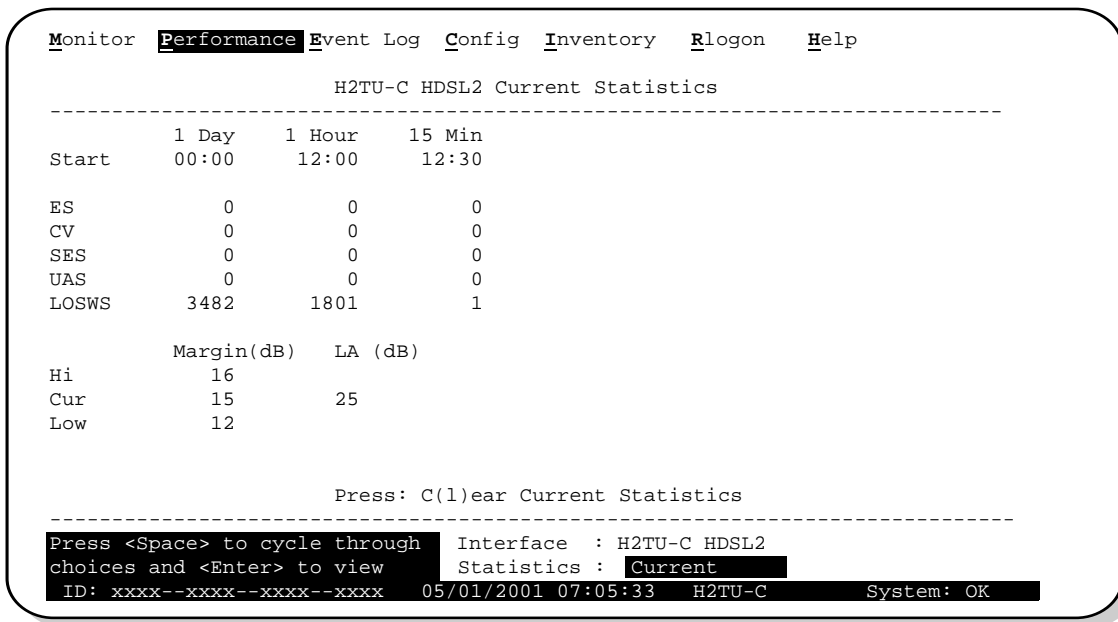


Figure 21. H2TU-C HDSL2 Current Statistics



**Table 10.** *Error Acronyms Used on the HDSL2 Performance History Screens*

<b>Error Acronym</b>	<b>Description</b>
ES	Errored Seconds Seconds with HDSL2 CRC $\geq 1$ or LOSW $\geq 1$
SES	Severely Errored Seconds Seconds with HDSL2 CRC $\geq 50$ or LOSW $\geq 1$
UAS	Unavailable Seconds Based on 10 contiguous SES occurrences
CV	Code Violation Total count of HDSL2 CRC errors.
LOSWS	Loss of Sync Word Second Seconds with LOSW $\geq 1$

## USING THE PERFORMANCE SCREENS TO VIEW ALARM DATA

To access the alarm history screens:

- 1 Press **P** to select the Performance menu.
- 2 Press the **SPACEBAR** to select an interface (**H2TU-C DS1**, **H2TU-R DS1**, **H2TU-C HDSL2**, or **H2TU-R HDSL2**), then press **ENTER**.
- 3 Press the **SPACEBAR** until **Alarm History** is selected, then press **ENTER**.
  - Press **N** or **P** to page through the alarm history screens.
  - Press **L** to clear the selected alarm history screen.

### Alarm History at the DS1 Interface

The Alarm History screen reports current DS1 statistics for the H2TU-C as shown in [Figure 22](#) below. DS1 statistics for the H2TU-R are shown in [Figure 23 on page 35](#). The types of alarms reported are described in [Table 11 on page 35](#). Current alarms are shown in reverse video.

```

Monitor  Performance Event Log Config Inventory Rlogon Help
-----
                H2TU-C DS-1 Alarm History
-----
Alarm      First          Last          Status      Count
-----
LLOS                          OK           0
LAIS                          OK           0
DBER                          DISABLED     0
LOF                           OK           0

                Press: C(1)ear Alarm History
-----
Press <Space> to cycle through Interface : H2TU-C DS-1
choices and <Enter> to view   Statistics : Alarm History
ID: xxxx--xxxx--xxxx--xxxx  05/01/2001 07:05:33 H2TU-C      System: Alarm
    
```

*Figure 22. H2TU-C DS1 Alarm History Screen*

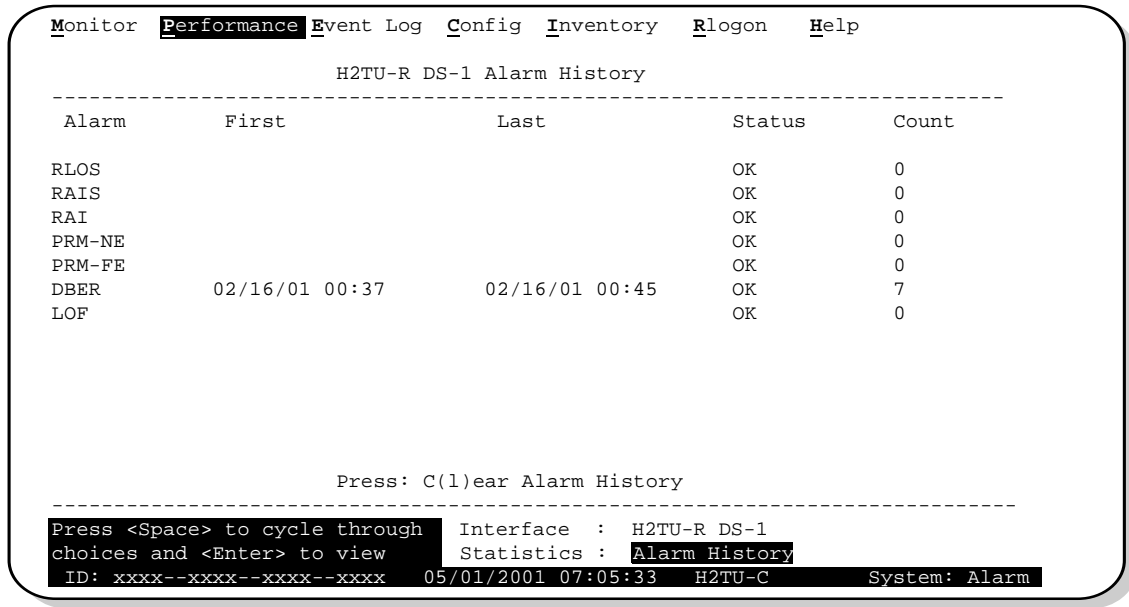


Figure 23. H2TU-R DS1 Alarm History Screen

Table 11. DS1 Alarm Descriptions

Screen Alarm	Front-Panel Alarm	Description
<b>H2TU-C DS1 Alarms (see Figure 22 on page 34)</b>		
LLOS <sup>(a)</sup>	LLOS	Local Loss of Signal—Loss of the H2TU-C DSX-1 input signal.
LAIS <sup>(c)</sup>	LAIS	Line Alarm Indication Signal—Indicates an AIS (all ones) pattern is being detected at the H2TU-C DS1 input port.
DBER	xxx-DBER	Bit Error Rate—The DS1 BER has exceeded the built-in 24-hour threshold limits of approximately 10 <sup>-6</sup> . (xxx denotes either TUC or TUR.)
LOF	LOF	Loss of Frame—Indicates the incoming DS1 frame pattern is other than the one selected, ESF or SF, by the FRMG option. Only occurs if the FRMG option is set to SF or ESF.
<b>H2TU-R DS1 Alarms (see Figure 23 above)</b>		
RLOS <sup>(a)</sup>	RLOS	Remote Loss of Signal—Loss of the H2TU-R DS1 input signal.
RAIS <sup>(c)</sup>	RAIS	Remote Alarm Indication Signal—AIS is being detected at the H2TU-R DS1 input port. By default (see Figure 26 on page 41) AIS-CI <sup>(b)</sup> is sent toward the network if NAIS is set to CI.
RAI	RRAI	Remote Alarm Indication—Indicates an RAI alarm (yellow) from the CPE with errors from the line unit or network.
PRM-NE	PRMN	Performance Report Monitoring - Near End—The count of the PRM-NE register at the H2TU-R exceeds the 10 <sup>-6</sup> BER threshold at 648 events since 12:00:00 AM.
PRM-FE	PRMF	Performance Report Monitoring - Far End—The count of the PRM-FE register at the H2TU-R exceeds the 10 <sup>-6</sup> BER threshold at 648 events since 12:00:00 AM.
DBER	xxx-DBER	Bit Error Rate—The DS1 BER has exceeded the built-in 24-hour threshold limits of approximately 10 <sup>-6</sup> . (xxx denotes either TUC or TUR.)

(a) This is a DS1-specific alarm that also issues a minor alarm (sent to the management unit or the backplane), if enabled.  
 (b) AIS-CI is a modified AIS alarm pattern. Equipment not suited to detect AIS-CI still detects this signal as an AIS. AIS-CI is sent toward the network indicating that an LOS (RLOS) or AIS (RAIS) has been received from the CPE.  
 (c) This display only appears if the NAIS option is set to CI.

## Alarm History at the HDSL2 Interface

Figure 24 shows the H2TU-C HDSL2 alarm history and Table 12 describes the alarms.



Figure 24. H2TU-C HDSL2 Alarm History Screen

Table 12. HDSL2 Alarm Descriptions

Screen Alarm	Front-Panel Alarm	Description
LOSW	SPNn-LOSW	Loss of Sync Word—The HDSL2 loop has lost synchronization.
MAL	xxx-MAL	Margin—The margin on the HDSL2 loop has dropped below the minimum threshold value set for the system. (xxx denotes either TUC or TUR.)
LA	xxx-LA	Loop Attenuation—The attenuation on the HDSL2 loop has exceeded the maximum value set for the HDSL2 loop attenuation threshold. (xxx denotes either TUC or TUR.)
HBER	xxx-HBER	Block Error Rate—The HDSL2 BER has exceeded the set threshold limits of 10 <sup>-6</sup> or 10 <sup>-7</sup> . (xxx denotes either TUC or TUR.)
SHORT <sup>(a)</sup>	PWR FEED SHRT	Indicates a short between the Tip and Ring of the HDSL2 pair.
GND <sup>(a)</sup>	PWR FEED GND	The HDSL2 loop is grounded.
OPEN <sup>(a)</sup>	PWR FEED OPEN	Indicates a line power open condition.

(a) Displays only on the H2TU-C HDSL2 interface.

## USING THE SYSTEM EVENT LOG TO TRACK EVENTS

To view a running log of system events, press **E** to select the Event Log. The Event Log displays the date and time of the 100 most recent events (most recent displayed first) and provides a description of each event. Table 13 on page 38 lists the event log messages.

- Press **N** or **P** to page through the event log.
- Press **T** to return to the top of the log.
- Press **L** to clear the event log.

```

Monitor Performance Event Log Config Inventory Rlogon Help
-----
System Event Log (Page 1 of 7)
-----
#   Origin          Date and Time      Entry
1   System          01/21/01 12:25:00  DS1 Alarm Register reset
2   System          01/22/01 12:25:00  HDSL2 Alarm Register Reset
3   System          01/23/01 12:25:00  DS1 Performance Register Reset
4   System          01/24/01 12:25:00  HDSL2 Performance Register Reset
5   System          01/25/01 00:13:32   Time set 12:25:00
6   System          01/26/01 00:13:27   Date set 10/21/00
7   H2TU-C          01/27/01 00:13:27   NLOC: Loop-down
8   H2TU-C          01/28/01 00:11:16   NLOC: Loop-up
9   H2TU-R          01/29/01 00:10:43   DS1 LOS Alarm: End
10  H2TU-R          01/30/01 00:10:30   DS1 LOS Alarm: Begin
11  System          01/31/01 00:04:11   DS1C: AUTO to AMI
12  H2TU-C          02/01/01 00:00:40   HDSL2 LOSW Alarm: End
13  H2TU-C          02/02/01 00:00:02   HDSL2 LOSW Alarm: Begin
14  - EMPTY -
15  - EMPTY -

Press: (N)ext Page, (P)revious Page, (T)op of Log, C(l)ear Log
ID: xxxx--xxxx--xxxx--xxxx 05/01/2001 07:07:54 H2TU-C System: OK

```

**Figure 25.** System Event Log

## Event Log Messages

Table 13 lists all the possible messages that can be displayed by the System Event Log screen.

**Table 13.** *Event Log Messages*

DS1 Alarm History reset
DS1 PM register reset
HDSL2 Alarm History reset
HDSL2 PM register reset
Loop Down (any segment)
Loop Up (any segment)
Provisioning option change: <provisioning mnemonic>: changed from <old> to <new>
CPE DBER alarm (1-day threshold crossed of any PM data except PRM-NE or PRM-FE)
CPE DS1 AIS begins/ends
CPE DS1 LOS begins/ends
CPE PRM-NE BER alarm (at the remote only: 1-day threshold crossed of PRM-NE: trouble on CPE receive)
Current statistics reset
Event Log reset
H2TU-C Power up/down
H2TU-R Power up/down
HDSL2 DC pair open begins/ends on any segment
HDSL2 Ground fault begins/ends on any segment
HDSL2 HBER alarm (threshold crossed) on any segment.
HDSL2 loop attenuation (threshold crossed) on any HDSL2 I/F
HDSL2 margin alarm (threshold crossed) on any HDSL2 I/F
HDSL2 unavailability begins/ends on any segment
Master zero reset
NTWK DBER alarm (1-day threshold crossed of any PM data)
NTWK DS1 LOS begins/ends
NTWK PRM-FE BER alarm (at the remote only: 1-day threshold crossed of PRM-FE: trouble on NTWK far end)
NTWN DS1 AIS begins/ends
Power Feed Open begins/ends
Power Feed Short begins/ends
RAI begins/ends

# TESTING

This section provides information about front-panel system alarms, LOS and AIS response, OCT55 test procedure, and loopback testing.

## FRONT PANEL SYSTEM ALARMS

Table 14 summarizes all possible system alarms in order of priority as they appear on the front panel. When multiple alarms occur, the front-panel display only reports the highest priority alarm. The alarm history screens display alarms also, but provide greater detail (see “Using the Performance Screens to View Alarm Data” on page 34). All alarms that are not inhibited will drive the front-panel Status LED to a flashing red alarm state.

*Table 14. Front-Panel System Alarms Summary*

Front-Panel Message <sup>(a)</sup>	Alarm	Description	To Inhibit
PWR FEED SHRT <sup>(b)</sup>	Power Feed Short	A short exists between the Tip and Ring of the HDSL2 pair.	Cannot be inhibited.
PWR FEED GND <sup>(b)</sup>	Power Feed Ground	The HDSL2 loop is grounded.	Cannot be inhibited.
PWR FEED OPEN <sup>(b)</sup>	Power Feed Open	A line power open condition exists.	Cannot be inhibited.
SPN <i>n</i> -LOSW <sup>(c)</sup>	Span( <i>n</i> )-Loss of Sync Word <sup>(d)</sup>	The HDSL2 loop has lost synchronization. The span closest to the network has highest priority.	Cannot be inhibited.
LLOS <sup>(c)</sup>	Local Loss of Signal	Loss of the DSX-1 input signal.	Cannot be inhibited.
RLOS <sup>(c)</sup>	Remote Loss of Signal	Loss of the H2TU-R DS1 input signal.	Disable the RDA (Remote Disconnect Alarm) option. The front-panel Status LED still flashes red and the ALRM RLOS message displays to alert you of the LOS state. LOS is sent towards the network from the H2TU-C. This option prevents the common occurrences of a CPE LOS condition from generating recurring alarms and AIS payloads.
LAIS <sup>(e)</sup>	Line Alarm Indication Signal	Indicates an AIS (all ones) pattern is being received at the H2TU-C DSX-1 input port.	Set NAIS to AIS.
RAIS <sup>(e)</sup>	Remote Alarm Indication Signal	Indicates an AIS (all ones) pattern is being received at the H2TU-R DS1 input port.	Set NAIS to AIS.
LRAI	Line (unit) Remote Alarm Indication	Indicates an RAI condition is detected at the remote and the signal from the line unit is error-free.	Cannot be inhibited.
RRAI	Remote RAI—Remote Alarm Indication at the H2TU-R (Net signal has errors.)	Indicates an RAI alarm (yellow) from the CPE with errors from the line unit or network.	Cannot be inhibited.
LOF	Loss of Frame	The DS1 input does not contain the ESF or SF frame pattern setting of the FRMG option.	Change FRMG option to AUTO or UNFR.

*Continued*

**Table 14.** Front-Panel System Alarms Summary (Cont.)

Front-Panel Message <sup>(a)</sup>	Alarm	Description	To Inhibit
xxx-DBER	DS1 Bit Error Rate	The DS1 BER has exceeded the set threshold limits of approximately $10^{-6}$ . (xxxx denotes either TUC or TUR. If TUC and TUR occur at the same time, then TUC displays.)	Select DIS for the DBER system option.
PRMF	Performance Report Messaging - Far End	Indicates H2TU-R PRM-FE BER threshold is exceeded.	Set DBER threshold to DIS.
PRMN	Performance Report Messaging - Near End	Indicates H2TU-R PRM-NE BER threshold is exceeded.	Set DBER threshold to DIS.
xxx-HBER <sup>(c)</sup>	HDSL2 Block Error Rate	The HDSL2 BER has exceeded the set threshold limits of $10^{-6}$ or $10^{-7}$ . (xxxx denotes either TUC or TUR. If TUC and TUR occur at the same time, then TUC displays.)	Select NONE for the HBER system option.
xxx-MAL <sup>(c)</sup>	Margin Alarm	The margin on the HDSL2 loop has dropped below the minimum threshold value set for the system. (xxxx denotes either TUC or TUR. If TUC and TUR occur at the same time, then TUC displays.)	Set the Margin Alarm Threshold option to 0 (zero).
xxx-LA <sup>(c)</sup>	Loop Attenuation	The attenuation on the HDSL2 loop has exceeded the maximum value set for the HDSL2 loop attenuation threshold. (xxxx denotes either TUC or TUR. If TUC and TUR occur at the same time, then TUC displays.)	Set the HDSL2 Loop Attenuation Threshold option to zero.

(a) The message, ALRM, displays prior to any alarm message.

(b) Message displays repeatedly as long as the alarm condition exists and is not included in the priority order.

(c) Only these alarms assert the System Alarm bus on pin H of the card-edge connector if the ALM option is enabled.

(d) When the HDSL2 loop loses sync word (LOSW), a system alarm condition exists. However, since the H2TU-C enters the acquiring mode, the front-panel status LED flashes red, and the ACQ or SIG message displays instead of the ALRM message.

(e) These alarms can only occur when the NAIS option is set to CI.

## Alarm Option for the Digital Loop Carrier Feed

To improve HiGain HDSL2 compatibility with the switch-to-protect features used in the Digital Loop Carrier (DLC) feeder applications, the H2TU-C has an Alarm Pattern (ALMP) option that allows you to select either an AIS or LOS DS1 output payload for the following alarms:

- LOSW on any loop
- LOS DS1

## Retiring System Alarms

To retire a system alarm, press the SEL pushbutton and execute an Alarm Cutoff (ACO). An ACO turns the alarm off and replaces the ALRM message with an ACO message. The second part of the ALRM message, which defines the cause of the alarm, remains. Both parts of the message remain until the alarm condition clears or another higher priority alarm occurs.



## Remote LOS and AIS Response

Figure 26 shows the different ways the H2TU-R can respond to the network, depending on the configuration of the TLOS, NLBP, RDA, ALMP, and NAIS configuration options described in Table 5 on page 19 and Table 6 on page 20.

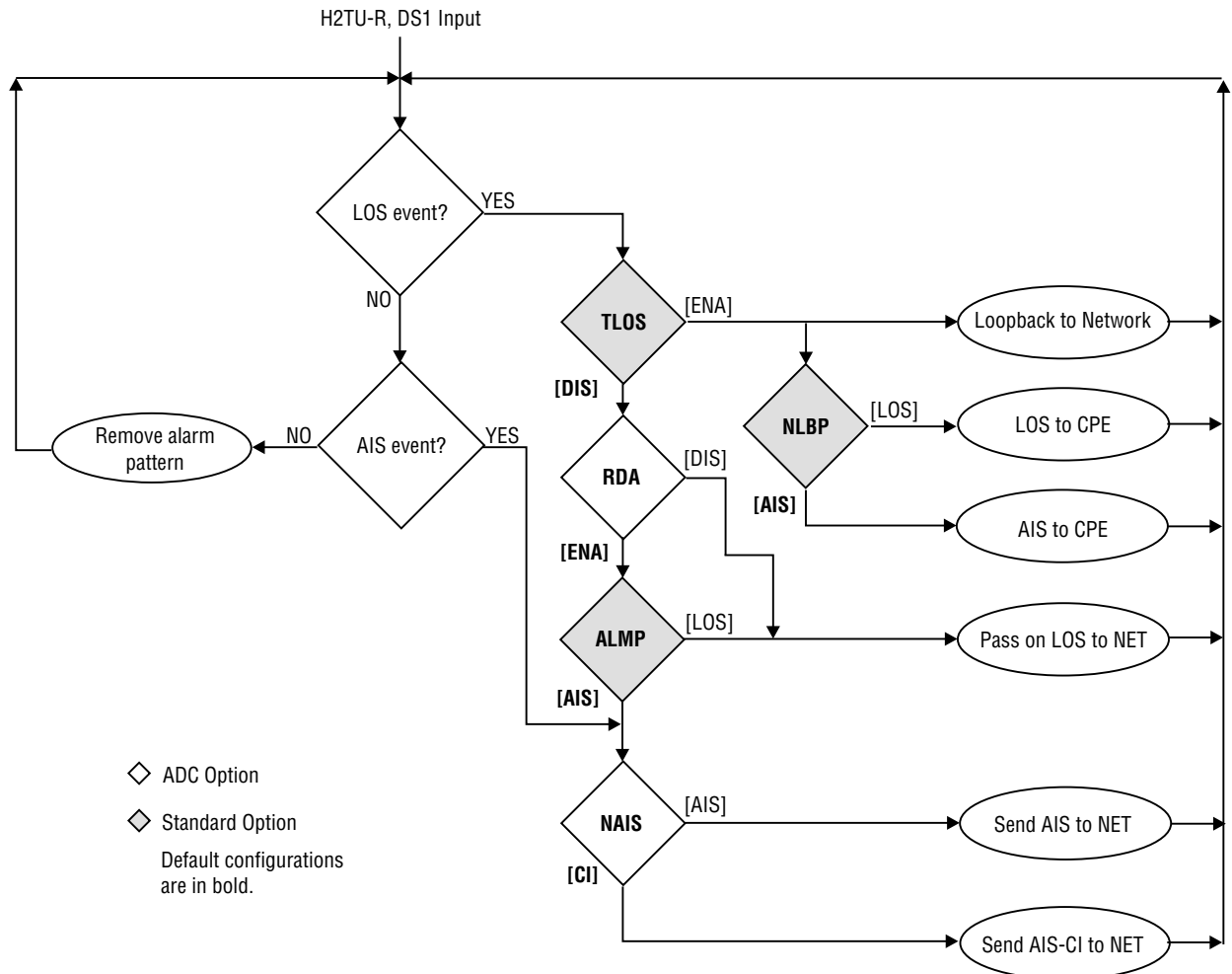


Figure 26. H2TU-R LOS and AIS Response Priorities

## OCT55 TEST PATTERN WITH AMI LINE CODE

The OCT55 test pattern can be used in unframed mode to stress the system and verify data integrity. In an SF or ESF framing mode, excessive zero anomalies may occur, which causes the H2TU-C to report ES, SES, and UAS errors according to ANSI T1.231-1997.

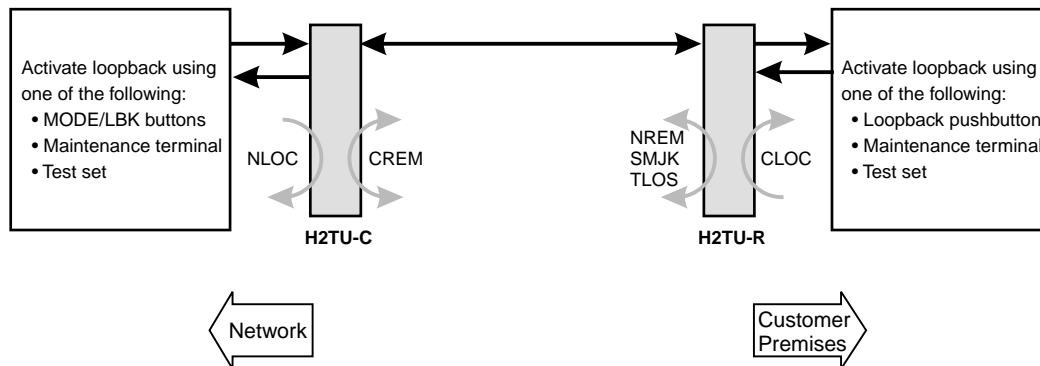
## LOOPBACK OPERATION

HiGain has a family of loopback options for analyzing circuit functionality. The loopback signal is transmitted and returned to the sending device for comparison. This allows you to verify the integrity of the HDSL2 channels to the H2TU-C, the H2TU-C DSX-1 interface, and the DS1 channels to the customer. Loopback options include:

- Generic Loopback (GNLB) options, including the SmartJack (SMJK) option and double loopbacks (see Table 15 on page 43)
- Special Loopback (SPLB) options (see “Special Loopback Commands” on page 44) and the following command tables:
  - Addressable Repeater Loopback commands: A1LB, A2LB, A5LB (see Table 16 on page 48)
  - Addressable Repeater Loopback commands: A3LB, A4LB (see Table 17 on page 50)

Loopback commands can be initiated by:

- Selecting the loopback type using the MODE and LBK buttons on the H2TU-C front panel (or the Manual Loopback button on the H2TU-R)
- Selecting the loopback type from the Monitor Menu when connected to the craft port of the H2TU-C or H2TU-R
- Entering the loopback code (exceptions are COLB, D $\times$ LB, and RULB) into the test equipment connected to the H2TU-C or H2TU-R



*Figure 27. Loopback Summary*



**HiGain supports multiple loopbacks, but a single loopback is the preferred method.**

## GENERIC LOOPBACK COMMANDS

The HiGain Generic Loopback (GNLB) commands allow you to use inband codes to loop up either NLOC (4-in-7) or NREM (3-in-7) towards the network. In addition, these inband codes loop up CREM (6-in-7) or CLOC (5-in-7) towards the customer. Either loopup condition can be terminated (looped down) with the 3-in-5, SMJK loopdown code. All inband codes must be present for at least 5 seconds before the HiGain system responds.

Figure 27 on this page summarizes the available loopbacks in the system, and Table 15 on page 43 summarizes the HiGain generic loopback commands.

**Table 15.** Summary of HiGain Loopback Codes and Activation Methods

Loopback	Code	Description	Method of Activation		
			Test Set	Craft Port	MODE/LBK
NLOC	1111000 4-in-7	DSX-1 signal is looped back to the network at the H2TU-C.	X	X	X
NREM	1110000 3-in-7	DSX-1 signal is looped back to the network at the H2TU-R.	X	X	X
CLOC	1111100 5-in-7	DS1 signal from the customer is looped back to the customer at the H2TU-R.	X	X	X
CREM	1111110 6-in-7	DS1 signal from the customer is looped back to the customer at the H2TU-C.	X	X	X
COLB		Dual loopback at the H2TU-C. DSX-1 signal is looped back to the network at the H2TU-C and DS1 signal from the customer is looped back to the customer at the H2TU-C.			X
RULB		Dual loopback at the H2TU-R. DSX-1 signal is looped back to the network at the H2TU-R and DS1 signal from the customer is looped back to the customer at the H2TU-R.			X
SMJK LpUp (PL)	11000 2-in-5	SmartJack Loopup or Network Interface Device (NID) payload (PL) code. Invokes H2TU-R loopback towards network.	X		
SMJK LpUp (ESF-DL)	1111-1111- 0100-1000	SmartJack Loopup or NID (ESF-DL) code. Invokes H2TU-R loopback towards network.	X		
SMJK LpDn (PL)	11100 3-in-5	SmartJack Loopdown or NID payload (PL) code. Removes SMJK, NLOC, NREM, CLOC, CREM, CRGx, and NRGx.	X		
SMJK LpDn (ESF-DL)	1111-1111- 0010-0100	SmartJack Loopdown or NID (ESF-DL) code. Removes SMJK, NLOC, NREM, CLOC, CREM, CRGx, and NRGx.	X		



HiGain systems feature the SmartJack option which can emulate a Network Interface Device (NID) loopback testing of the HiGain circuit. SMJK and NREM loopbacks perform the same functions, but their initiation differs. SMJK indicates that the loopback was initiated by the 2-in-5 inband command. NREM, on the other hand, is initiated by the 3-in-7 inband command, or by a command issued from the maintenance terminal.

Use the inband commands to enable or disable the SMJK loopback options. The H2TU-C system setting is normally enabled to recognize all inband SmartJack loopback commands.

## SPECIAL LOOPBACK COMMANDS

In addition to the GNLB loopback command mode, a HiGain system can be configured for special loopback command modes. These are selected by configuring the unit for the desired loopback mode (Config menu, Special Loopback Mode option) from the maintenance terminal Monitor screen. Once a loopback mode is activated, other loopback commands can be sent by a test set connected to the craft port of the H2TU-C or H2TU-R (see [Table 16 on page 48](#) and [Table 17 on page 50](#) for list of SPLB commands).

A1LB through A5LB are five special, addressable, repeater loopback modes which are supported by the H2TU-C. These loopback modes provide the HiGain system with sophisticated maintenance and troubleshooting tools. A1LB, A2LB, and A5LB are patterned after the Teltrend addressable DS1 repeater loopbacks. A3LB and A4LB are patterned after the Wescom addressable DS1 repeater loopbacks. All five SPLBs have been enhanced to handle the specific requirements of the following HiGain customers:

- A1LB (Teltrend) = Southwestern Bell
- A2LB (Teltrend) = Southwestern Bell
- A3LB (Wescom) = New England Telephone, Bell Atlantic
- A4LB (Wescom Mod 1) = New York Telephone
- A5LB (Teltrend Mod 1) = Southern New England Telephone (SNET), Southwestern Bell, Pacific Bell

The A1LB loopback selection complies with that proposed for HDSL2 systems in the DS1E1.4/92 recommendation with the following additions:

- Query loopback
- IOR (Intelligent Office Repeater) power-down
- Four loopback time-out choices
- Initiation from either end
- Repeating bit error signatures
- Alternate query loopback

These additions make A1LB identical to A2LB. A1LB is given a separate identity to allow future DS1/E1 enhancements to be added without affecting A2LB.

A5LB differs from A2LB in that A5LB does not block the arming code from exiting the H2TU-C-319 into the network. A1LB and A2LB can be configured to do one of the following:

- Block the arming code (after 2 seconds) from exiting the H2TU-C into the network and replace it with the AIS code.
- Unblock the AIS code by executing the Far End Activate code. (Since A5LB never blocks the arming code from exiting the H2TU-C, the Far End Activate code is not available in A5LB.)

A3LB differs from A4LB in that A3LB supports the additional (1-in-6) SMJK loopback command.

## MANUAL LOOPBACK SESSION

A manual loopback session allows you to select any one of the HiGain loopbacks listed in [Table 15 on page 43](#) with the exception of SmartJack loopbacks, which can only be issued by inband commands.

### Setting the Loopback Time-Out Option

Before initiating a loopback session, verify that the loopback time-out parameter is set to the desired setting. (See [Table 5 on page 19](#) for a description of this option.)

- 1 Logon to the maintenance terminal screens.
- 2 Select **Config, Standard Options**, then **LBTO**.
- 3 Verify the LBTO setting.

### Activating Manual Loopback Mode



With the exception of SmartJack, any of the HiGain HDSL2 loopbacks can be executed using the **MODE** and **LBK** buttons.

When executing a manual loopback session using the **MODE** and **LBK** buttons:

- The next loopback option can be displayed by pressing the **MODE** button; however, the previously activated loopback remains active until the **LBK** button is pressed, which activates the new loopback.
- If neither button is pressed for a period of 30 seconds and no loopback is in effect, the manual loopback session terminates, and the display returns to normal mode.
- If any loopback is in effect, the 30-second time-out is inhibited. The active loopback and the manual loopback session, continue until the loopback times out in accordance with the **LBTO** setting.
- If there is an active loopback, pressing the **MODE** and **LBK** buttons for 5 or more seconds terminates any active loopback, ends the manual loopback session, and returns the display to normal mode.

To initiate a manual loopback session:

- 1 Press both the **MODE** and **LBK** buttons on the front panel for at least 3 seconds. The following message appears on the front-panel display:

```
MAN LPBK NLO?
```

- 2 Press **LBK** to activate **NLOC**. The display changes to `MAN LPBK NLOC`.
- 3 Press **MODE** to advance to the next available loopback:
  - `NRE? = NREM`
  - `CRE? = CREM`
  - `CLO? = CLOC`

- 4 Press **LBK** to activate the selected loopback. The previous loopback is terminated.

Once a loopback is selected and activated, it stays active until it times out (based on the **LBTO** setting). When a loopback times out, the display returns to the normal display mode.

You can terminate loopbacks manually and exit the `MAN LPBK` mode by simultaneously pressing the **MODE** and **LBK** buttons for 3 or more seconds. If no loopback is active, the `MAN LPBK` mode automatically terminates after 30 seconds.

All loopbacks (except dual loopbacks) can be initiated by inband commands in the DS1 payload. Loopbacks can also be initiated by a command from the HiGain system (front-panel buttons or maintenance screen selections). Therefore, whenever a loopback is active, the method by which it was activated is indicated in the Loopback and Status screens by the annotation HG or PL adjacent to the identified loopback. For example, NREM-HG indicates that the loopback was initiated by the HiGain system.



**SMJK loopback commands are only activated by inband commands. Dual loopback commands are only activated by the front-panel buttons or maintenance screen selections.**

## LOOPBACK TEST PROCEDURES

The following sections provide step-by-step test procedures for verifying the integrity of the HDSL2 channels at every module location as well as the DS1 channels to the customer and the local DSX-1 interface.

### General Troubleshooting Tips

If trouble is encountered on the DSX-1 interface of the H2TU-C, verify that:

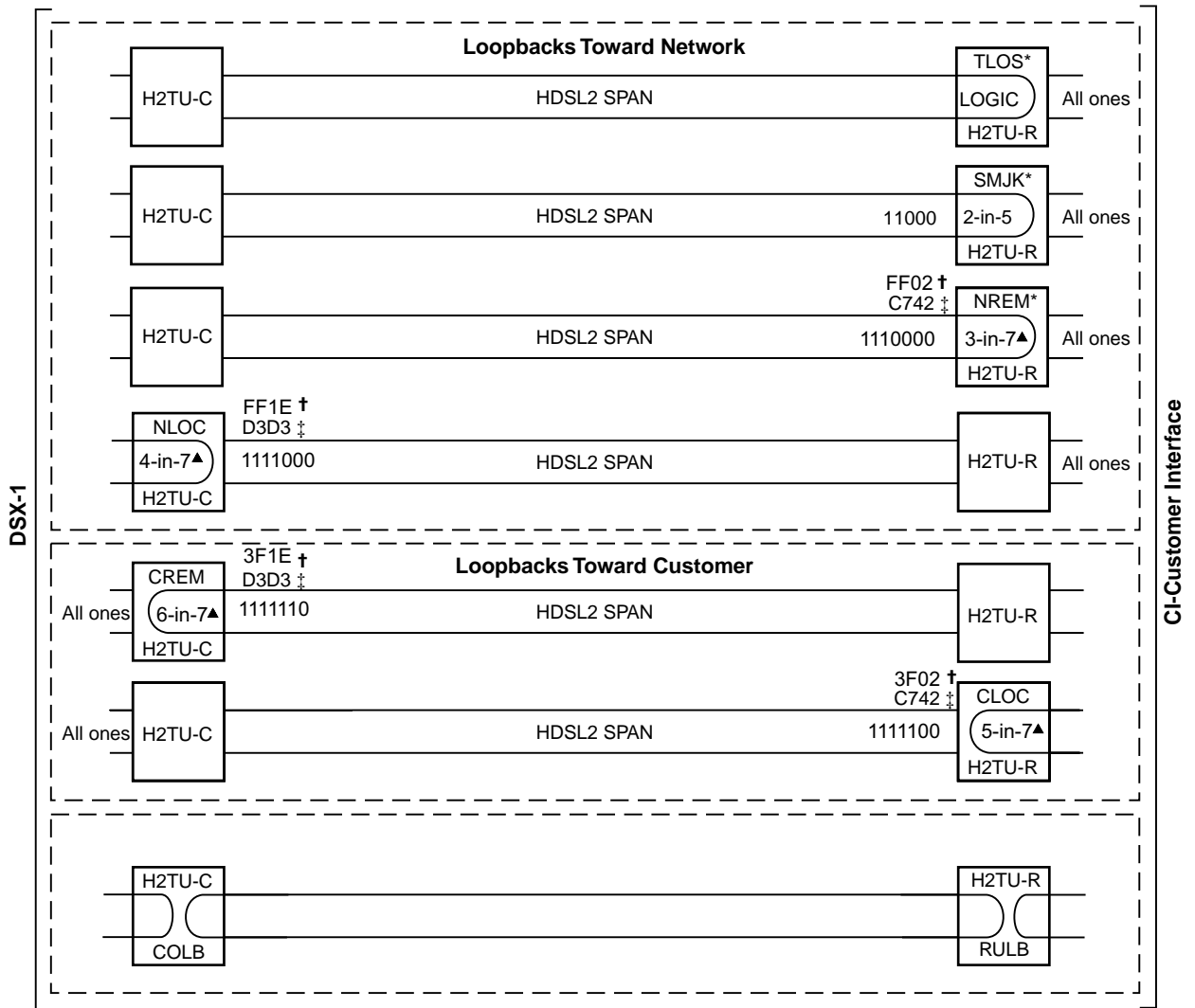
- the H2TU-C is making a positive connection with its mounting-assembly (shelf) connector.
- the H2TU-C internal equalizer is set to the correct distance range per [Table 5 on page 19](#). All equalizers should be set to the distance from the DSX-1 to the shelf.

### GNLB Test Procedures

[Figure 28 on page 47](#) is a graphical representation of the various loopback configurations with the associated GNLB commands shown. Refer to [Table 15 on page 43](#) for a description of these commands.

To perform the GNLB loopback test procedure:

- 1 Have the CO tester send the NREM (3-in-7) inband loopup code for 5 seconds. You should be able to observe the NREM message on the front-panel display. (The Status LED on the front panel should be green, and the loopback mode should also be identified on the Span Status screen.)
- 2 Have the CO tester transmit a DS1 test signal towards the H2TU-C and verify that the returned (looped) signal to the test set is error-free.
- 3 If [Step 2](#) fails, have the CO tester transmit the 3-in-5 inband loopdown code.
- 4 Have the CO tester send the NLOC (4-in-7) inband loopup for 5 seconds. You should be able to observe the NLOC message on the front-panel display. (The Status LED on the front panel should be yellow, and the loopback mode should also be identified on the Span Status screen.)
- 5 Repeat [Step 2](#). If the test passes, the problem is in the downstream direction. If the test fails, the problem is in the upstream direction.



\* Set the NLBP option to AIS to send AIS (indicated by an all ones pattern) for any network loopback.

† A3LB and A4LB loopback codes.

‡ A1LB, A2LB, and A5LB loopback codes.

▲ GNLB loopback codes.

Figure 28. Loopback Modes

## A1LB, A2LB, and A5LB Test Procedures

Using the codes listed in [Table 16](#), a network tester can activate NLOC or NREM loopbacks (or SMJK, if enabled). A tester at the customer premises can activate CLOC or CREM loopbacks.

Following [Table 16](#) is a step-by-step test procedure for verifying the integrity of the HDSL2 channels at every module location as well as the DS1 channels to the customer and the local DSX-1 interface.

**Table 16.** Addressable Repeater Loopback Commands (A1LB, A2LB, A5LB)

Loopback	Binary Code <sup>(a)</sup> (Hexadecimal Equivalent)	Description
ARMING or NI LPBK (inband)	11000-11000 ...	Arming code
ARMING or NI LPBK (ESF Data Link)	1111-1111-0100-1000 (FF48)	Arming code
IR LPDN or DISARM (inband)	11100-11100 ...	Disarming code
IR LPDN or DISARM (ESF Data Link)	1111-1111-0010-0100 (FF24)	Disarming code
IOR LPBK (NLOC or CREM 230-232 bit errors and 229-231 bit errors) <sup>(b)</sup>	1101-0011-1101-0011 (D3D3)	NLOC—DSX-1 signal is looped back to the network at the H2TU-C. CREM—Signal from customer is looped back to the customer at the H2TU-C.
ILR-2 LPBK (20 bit errors) <sup>(c)</sup>	1100-0111-0100-0010 (C742)	NREM—DSX-1 signal is looped back to the network at the H2TU-R. CLOC—Signal from customer is looped back to the customer at the H2TU-R.
IR LPDN (except SMJK)	1001-0011-1001-0011 (9393)	Loopdown (H2TU-C or H2TU-R)
IR QUERY LPBK	1101-0101-1101-0101 (D5D5)	Query loopback
IR ALTERNATE QUERY LPBK	1101-0101-1110-1010 (D5EA)	Alternate query loopback
TIME-OUT OVERRIDE	1101-0101-1101-0110 (D5D6)	Loopback time-out override
FAR END NI ACTIVATE (A1LB and A2LB only) <sup>(d)</sup>	1100-0101-0101-0100 (C554)	Unblock AIS
IOR POWER DOWN (H2TU-C) <sup>(e)</sup>	0110-0111-0110-0111 (6767)	Removes HDSL2 line power

- (a) The leftmost bit arrives first in all sequences. The detection algorithm functions reliably with a random  $10^{-3}$  Bit Error Rate (BER) on the facility. The entire arming and loopback sequence can also be initiated at the remote H2TU-R location.
- (b) The H2TU-R identifies CREM (and the H2TU-C identifies NLOC) with 231 bit errors, excluding the frame bits. When framed data is being sent in the AUTO framing mode, the number of the 231 bit errors detected by the test set varies from 229 to 231, depending on whether or not the test set counts frame errors as bit errors, and on the number of frame bits contained in the block of 231 error bits. The H2TU-R and H2TU-C generate this bit pattern in a series of discontinuous bursts containing 20-bit errors each, excluding frame bits. Those test sets that do not count frame error bits as data bit errors will indicate fewer bits than the H2TU-R and H2TU-C transmit for a CI and NI loopback.
- (c) The H2TU-R is assigned the ILR-2 loopback code. It responds with 20 bit errors (excluding the frame bits).
- (d) Allows the NIU Activate Command that originates at the H2TU-R to pass through uninhibited toward the network and is always enabled. No option to disable.
- (e) The IOR Power Down code must remain present for the duration of the powerdown mode. When this code is removed, the HiGain system returns to its normal unlooped and unarmed state.



To perform the A1LB, A2LB, and A5LB loopback test procedures:

- 1 Send the inband Arming and NI LPBK code 11000 to the H2TU-C for at least 5 seconds.
- 2 Monitor the output of the H2TU-C for the return of the pattern. Return of the pattern indicates one of the following:
  - The H2TU-R has looped up (if the SMJK Loopback option is enabled)
  - An external NID has looped up (if the SMJK Loopback option is disabled), and the H2TU-C and H2TU-R have been armed.
- 3 Verify, if possible, that the H2TU-R Loopback LED is either flashing yellow at four times per second intervals (indicating that the system is armed), or is a steady yellow (indicating that the system is both armed and in SMJK loopback). The H2TU-C Status LED also flashes yellow when the system is armed.



**If the Arming code is not returned after 5 seconds, the system may be armed, but there is no active loopback.**

- 4 Once armed, the H2TU-C can be looped back by sending Intelligent Office Repeater (IOR) LPBK activation code 1101-0011-1101-0011 (D3D3) for at least 5 seconds. You should observe the following activation response pattern:
  - a 2 seconds of AIS (an all ones pattern)
  - b 2 seconds of returning data pattern
  - c Logic errors (including the frame bit) occurring in the returned pattern comprising:
    - 231 errors, if IOR LPBK (H2TU-C) was sent
    - 20 errors, if ILR-2 (H2TU-R) was sent
  - d Normal looped data

This error pattern repeats every 20 seconds as long as the IOR loopback pattern is being sent. This also applies to ILR, Time-out Override, and Query commands.

The H2TU-C is now in logic loopback if the IOR NLOC loopback command was sent. The Time-out Override command or a Loopedown command can override the selection made for the loopback time-out. If the Time-out Override code 1101-0101-1101-0110 (D5D6) is received after activating a loopback, then the automatic timed expiration of the loopback is inhibited. If this Time-out Override is sent, then the only way to loop the H2TU-C down is to do one of the following:

- Issue the IR loopdown (LPDN) code 1001-0011-1001-0011 (9393)
- Issue the NI LPDN and Disarm inband code 11100 or the ESF-DL code (FF24).



**The Time-out Override function is only valid for the current active loopback. The automatic time-out timer is restored during subsequent loopback sessions.**

- 5 Once the test is complete, do one of the following:
  - If the system is to loop down but remain Armed, send the IR LPDN code.
  - If all the equipment is to be looped down, disarmed, and returned to normal operation, send the disarm inband code 11100 or the ESF-DL code (FF24).



The Armed mode has an automatic time-out of 120 minutes, but this timer is reset to 120 for any of the following events:

- Loopback termination (manually or time-out)
- Query
- Alternate query
- Far End activation
- Another ARM command

This timer is inhibited while any of the valid command codes are being sent. Once the codes are removed, the timer restarts at 120.

## A3LB and A4LB Test Procedures

The H2TU-C can be looped back by sending the Addressable Office Repeater (AOR) LPBK activation code 1111-1111-0001-1110 (FF1E) for at least 5 seconds. This causes the H2TU-C to enter the NLOC state. The loopback time-out setting determines the duration of this loopback unless it is overridden by the reception of a second identical 16-bit loopup command before the timer expires. When this time-out override state exists, the only way to loop the H2TU-C down is to issue one of the three loopdown commands listed in Table 17. The automatic time-out mode is restored during subsequent loopback sessions.

Table 17 summarizes the codes required to execute Addressable 3 and 4 (A3LB and A4LB) repeater loopback commands.

**Table 17.** Addressable Repeater Loopback Commands (A3LB and A4LB)

Name	Binary Code <sup>(a)</sup> (Hexadecimal Equivalent)	Description
NLOC	1111-1111-0001-1110 (FF1E)	H2TU-C loopup from NI
CREM	0011-1111-0001-1110 (3F1E)	H2TU-C loopup from CI
NREM	1111-1111-0000-0010 (FF02)	H2TU-R loopup from NI
CLOC	0011-1111-0000-0010 (3F02)	H2TU-R loopup from CI
SMJK	11000-11000-11000 ...	H2TU-R loopup from NI
SMJK	100000 100000 100000 ...	H2TU-R loopup from NI <sup>(b)</sup>
SMJK	1111-1111-0100-1000 (FF48)	H2TU-R loopup from NI (ESF-DL)
Loopdown	11100-11100-11100 ...	H2TU-C and H2TU-R loopdown from NI OR CI
Loopdown	100-100-100 ...	H2TU-C and H2TU-R loopdown from NI OR CI
Loopdown	1111-1111-0010-0100 (FF24)	H2TU-C and H2TU-R loopdown from NI OR CI (ESF-DL)

(a) The leftmost bit arrives first in all sequences. The detection algorithm functions reliably with a random  $10^{-3}$  Bit Error Ratio (BER) on the facility. The entire arming and loopback sequence can also be initiated at the remote H2TU-R location.

(b) Not supported by A4LB.

# APPENDIX A - SPECIFICATIONS

## Power

HDSL2 Span Voltage	0 or -180 Vdc $\pm$ 5 Vdc
CO Supply	-48 Vdc nominal (-42.5 Vdc to -56.5 Vdc) See “Power Consumption” and “Maximum Power Dissipation” and “Maximum Current Drain” on page 52.
Electrical Protection	Secondary surge and power cross protection on HDSL2 ports. Requires external primary protection.
Fusing	Internal; connected to “FUSE ALARM” output on pin 10

## Environmental

Operating Temperature	-40 °F to +149 °F (-40 °C to +65 °C)
Operating Humidity	5% to 95% (non-condensing)

## Physical

Height	4.750 in. (12.10 cm)
Width	0.625 in. (1.59 cm)
Depth	10 in. (25.4 cm)
Weight	0.5 lb. (.23 kg)
Mounting	3192 mechanics shelf

## HDSL2

Line Code	1.552 Mbps OPTIS
Transmission	Full duplex
Media	One non-loaded, copper, two-wire cable pair
Output	+16.8 dBm $\pm$ 0.5 dB at 135 $\Omega$ (0-450 kHz) at CO side; +16.8 dBm $\pm$ 0.5 dB at 135 $\Omega$ (0-350 kHz) at remote side
Line Impedance	135 $\Omega$
Maximum Provisioning Loss	35 dB at 196 kHz
Start-up Time	30 sec. typical, 1 min. maximum per span

## DSX-1

DSX-1 Line Impedance	100 $\Omega$
DSX-1 Pulse Output	6 V <sup>pk-pk</sup> pre-equalized for 0-655 feet of ABAM cable
DSX-1 Input Level	+1.5 to -7.5 dB DSX

## System

One-way DS1 Delay	<400 $\mu$ s per span
Wander (Looped)	Meets MTIE T1.101 requirements
Wideband Jitter (Looped)	0.2 UI maximum
Narrowband Jitter (Looped)	0.1 UI maximum

## POWER CONSUMPTION

The three most important power parameters of an H2TU-C are its maximum power consumption, maximum power dissipation, and maximum current drain.

Table 18 describes line-powered circuits on 9 kft, 26 AWG loops without a regenerator.

**Table 18.** H2TU-C-319 List 6 Power Parameters

	-48 Vdc Power Consumption (Watts)	Heat Dissipation (Watts)	-42.5 Vdc Current (mA)
Remote Power Source	Maximum	Maximum	Maximum
Line-powered	13.9	7.7	330.0
Local-powered	6.0	6.0	143.0

## MAXIMUM POWER DISSIPATION

The maximum power dissipation measures the power that is converted into heat which builds up within the unit. It contributes to the total heat generated in the space around the unit. It is used to determine the maximum number of fully loaded shelves per bay that does not exceed the maximum allowable power dissipation density in watts per square foot to comply with GR-63.

In COs, the maximum power dissipation for open-faced, natural convection-cooled mountings is limited to 134.7 watts per square foot per GR-63-CORE. The footprint of a standard 28-slot, 23-inch HMS-317 shelf is 7.024 square feet. Therefore, the maximum bay dissipation is limited to 946 watts. Use this limit and the parameters in Table 18 to determine the maximum number of H2TU-C circuits that can occupy one CO bay.



**This is a worst case situation because it assumes the entire CO is subjected to the maximum power density. More favorable conditions would permit increasing the number of shelves per bay without jeopardizing the CO thermal integrity.**

The thermal loading limitations imposed when using the H2TU-C in a Controlled Environmental Vault (CEV) or other enclosures are determined by applying its power parameters to the manufacturer's requirements for each specific housing.

The -48 Vdc Power Consumption is the maximum total power that the H2TU-C consumes or draws from the shelf power source. This parameter is needed when the H2TU-C is in a location remote to the CO it is serving. It determines the battery capacity required to maintain an 8-hour, standby battery reserve for emergency situations. Battery capacity, therefore, limits the maximum number of line units which can be installed in a remote enclosure. Use the data in Table 18 above to perform this analysis.

## MAXIMUM CURRENT DRAIN

The Maximum Current Drain is the maximum current drawn from the shelf power supply when it is at its minimum voltage (-42.5 Vdc). This determines the shelf fusing requirements. Use the -42.5 Vdc current data in Table 18 above to determine the shelf fusing requirements for your particular H2TU-C applications.

## LOOP ATTENUATION

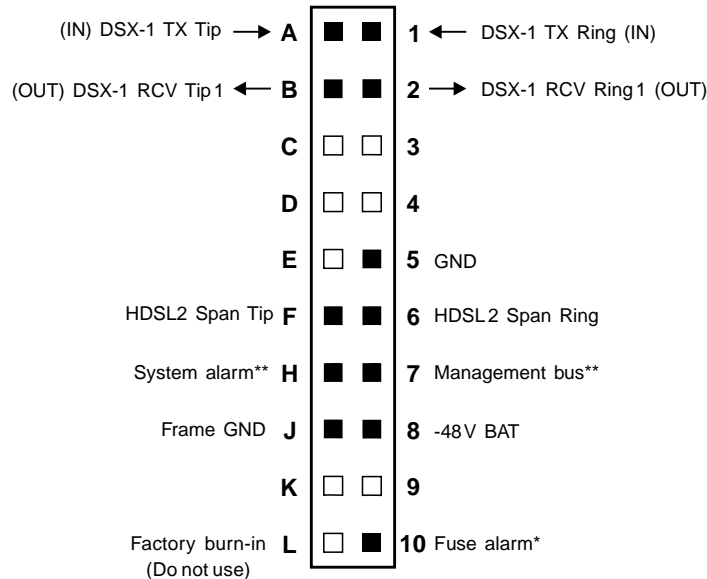
Each loop has no more than 35 dB of loss at 196 kHz, with driving and terminating impedances of 135  $\Omega$  (see Table 19 below).

**Table 19.** HDSL2 Cable Attenuation Chart

Cable Gauge	Loss at 196 kHz (dB/kft)	$\Omega$ per kft
26/0.4 mm	3.88	83
24/0.51 mm	2.84	52
22/0.61 mm	2.18	32
19/0.91 mm	1.54	16

## H2TU-C-319 LIST 6 CARD-EDGE CONNECTOR

Figure 29 shows the pin assignments of the card-edge connector on the H2TU-C-319 List 6 card. Active pins are highlighted in black.



\* Fuse Alarm  
 Normal = Floating (0 to -60 Vdc Maximum)  
 Activated = -48 Vdc, 10mA Maximum

\*\* System Alarm and  
 Management Bus (reserved)

**Figure 29.** H2TU-C-319 List 6 Card-Edge Connector

## Network Management Control Bus

The H2TU-C provides a Network Management Control Bus on pin 7 of the card-edge connector. This allows the various ADC Management System protocols to manage the H2TU-C through the H2MU-319 HiGain Management Unit. Whenever the H2TU-C is under management, the MNGD message displays periodically on the front-panel display.



**Some H2TU-C features are affected when it is under management. Consult the management unit practice for further information.**

## Fuse Alarm

Pin 10 on the card-edge connector is a Fuse Alarm that is driven to -48 Vdc through a diode whenever its onboard fuse opens. It emulates the function of the Fuse Alarm output from pin 10 on normal, high density (HD) repeaters. Pin 10 is connected to pin 5 of the 1184 Alarm Card (slot 1 in the HD shelf) and causes the 1184 Fuse ALM LED to light when the pin 10 signal is activated. Its normally floating output must never be driven above ground or below -80 Vdc. It can sink a current of 10 mA. The H2TU-C does not support the BPV function (pin E) of normal HD repeaters.

## System Alarm Output Pin

Pin H on the card-edge connector, shown in [Figure 29](#), is the H2TU-C System Alarm output pin. The following notes apply to pin H:

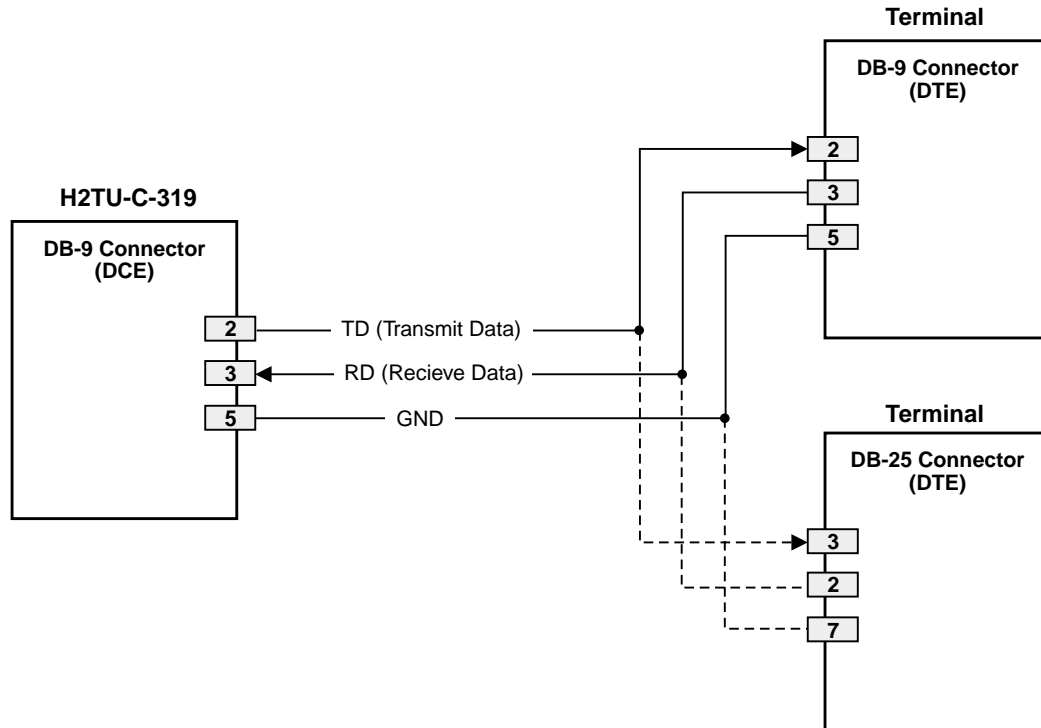
- Pin H replaces the Local Loss of Signal (LLOS) on normal high-density (3192) repeaters.
- The normally floating output of pin H can connect to pin 1 of the 1184 or 3192-9F Alarm Card in position 29 of the high density (HD) shelf.
- The H2TU-C forces pin H to +5 Vdc (maximum of 10 mA) for a system alarm condition. Pin H then remains at +5 Vdc for the duration of the alarm condition.
- If the Wescom 1184 Alarm Card is installed in the shelf, its LOS LED lights for every MNRALM.
- The H2TU-C Status LED flashes red for the duration of a system alarm condition.
- Setting the ALM option to DIS only prevents the system alarm bus on pin H from being activated for a system alarm event. The Status LED still flashes red and the ALRM message still displays.
- “[Front Panel System Alarms](#)” on [page 39](#) describes the system alarms that activate pin H.



**Pin H must never be taken above +5 Vdc or below -60 Vdc.**

## CRAFT PORT

Figure 30 shows the pinout for the craft port connector and its connection to a DB-9 or DB-25 connector on a maintenance terminal.



**Figure 30.** RS-232 Craft Port Pinouts

# APPENDIX B - FUNCTIONAL OPERATION

ADC HDSL2 technology provides full-duplex services at standard DS1 rates over copper wires between an H2TU-C and an H2TU-R, which comprise one HiGain HDSL2 system. HiGain HDSL2 systems use ADC Overlapped Pulse Amplitude Modulation (PAM) Transmission with Interlocking Spectra (OPTIS) transceiver systems to establish full-duplex, 1.552 kbps data channels between the H2TU-C and a remotely located H2TU-R.

Figure 31 shows a block diagram of the H2TU-C. The H2TU-C receives a 1.544 Mbps DSX-1 data stream from the DSX-1 digital cross connect interface. The H2TU-C contains a DS1 frame synchronizer controlled by an 8-bit microprocessor that determines the type of framing on the DS1 stream and synchronizes to it. The H2TU-C recognizes Superframe (SF), including D4 or Extended Superframe (ESF) framing.

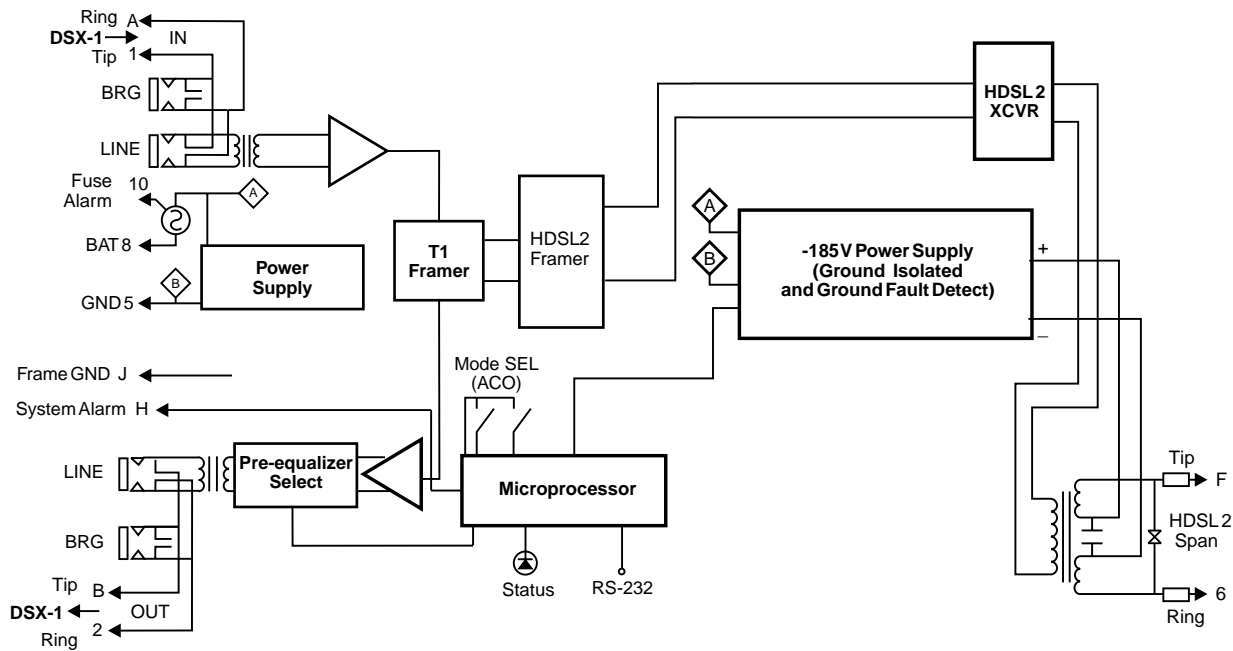


Figure 31. H2TU-C-319 List 6 Block Diagram

## TIMING

The low loop wander (0.3 UI max) of an H2TU-C, when used with compatible regenerators and remote units, allows the circuit to be used in all critical timing applications, including those used to transport Stratum 1 timing.

## GROUND FAULT DETECT

The H2TU-C has a Ground Fault Detect (GFD) circuit which detects a ground or a resistive path to ground on any wire of the HDSL2 loop. This makes the product compliant with the Class A2 requirements of GR-1089.



# APPENDIX C - COMPATIBILITY

The HiGain HDSL2 system uses HDSL2 transmission technology as recommended by ANSI committee in compliance with the August 1999 T1-E1.4/99-006R5 HDSL2 standards.

The H2TU-C-319 List 6 is designed to mount in the following shelves with 3192 mechanics:

- ADC HCS-402 (2-slot, test shelf with adapter)
- ADC HHS-319 (3-slot, 19-inch horizontal shelf)
- ADC HMS-308 (8-slot remote enclosure)
- ADC HMS-317 (28-slot, 23-inch shelf)
- Charles Ind. #3192 (28-slot connectorized)
- Charles Ind. #3192-WR (28-slot wire wrap)
- Charles Ind. #343-00 (12- to 14-slot wire wrap)
- Charles Ind. #319-02 (22-slot connectorized)
- Charles Ind. #319-04 (22-slot wire wrap)
- Charles Ind. #340-00 (9-slot to 11-slot wire wrap)
- Larus #1185 (28-slot connectorized)



**Charles Ind. 343-00 and 340-00 shelves do not support the H2TU-C System Alarm output on pin H. Also, if slots 1 and 2 of these shelves were wired for the 3408 Fault Locate unit, they must be rewired to accept the H2TU-C.**

# APPENDIX D - PRODUCT SUPPORT

ADC Customer Service Group provides expert pre-sales and post-sales support and training for all its products.

## TECHNICAL SUPPORT

Technical support is available 24 hours a day, 7 days a week by contacting the ADC Technical Assistance Center (TAC) at one of the following numbers:

- Telephone: 800.638.0031  
714.730.3222  
The 800 line is toll-free in the U.S and Canada.
- Fax: 714.832.9924
- Email: [wsd\\_support@adc.com](mailto:wsd_support@adc.com)
- Online: [www.adc.com/knowledge\\_base\\_frames](http://www.adc.com/knowledge_base_frames)

## RETURNS

To return equipment to ADC:

- 1 Locate the purchase order number under which the equipment was purchased. You will need to provide this number to ADC Customer Service to obtain a return authorization.
- 2 Call ADC Customer Service to ask for a Return Material Authorization (RMA) number and instructions before returning products. Use the telephone number, fax number, or email address listed below:
  - Telephone: 800.366.3891 ext. 63748 or 952-946-3748  
The 800 line is toll-free in the U.S and Canada.
  - Fax: 952-946-3237
  - Email Address: [repair&return@adc.com](mailto:repair&return@adc.com)
- 3 Be prepared to provide the following information:
  - Company name, address, telephone number, and the name of a person Customer Service can contact regarding this equipment.
  - A description of the equipment as well as the number of units that you are returning. Be sure to include the model and part number of each unit.
  - The shipping address to which Customer Service should return the repaired equipment.
  - The reason for the return.
    - The equipment needs an ECO/ECN upgrade.
    - The equipment is defective.

# APPENDIX E - ABBREVIATIONS

## A

**ACO:** Alarm Cutoff  
**ACQ:** Acquisition  
**AIS:** Alarm Indication Signal  
**ALM:** Minor Alarm  
**ALMP:** Alarm Pattern  
**ALRM:** Alarm Condition  
**AMI:** ALTERNATE Mark Inversion  
**AnL:** Acquisition n Loop  
**AWG:** American Wire Gauge

## B

**B8ZS:** Bipolar with 8-Zero Substitution  
**BER:** Bit Error Rate  
**BPVT:** Bipolar Violation Transparency  
**BRG:** Bridge

## C

**CLEI:** Common Language Equipment Identifier  
**CLOC:** Customer Local Loopback  
**CO:** Central Office  
**CREM:** Customer Remote Loopback  
**CSA:** Carrier Service Area

## D

**DBER:** DS1 Bit Error Rate  
**DDS:** Digital Data Service  
**DLC:** Digital Loop Carrier  
**DSX-1:** DS1 Cross-Connect Frame  
**DS1:** Digital Signal, Level One

## E

**ECI:** Equipment Catalog Item  
**EQL:** Equalization  
**ES:** Errored Seconds  
**ESD:** Electrostatic Discharge  
**ESF:** Extended SuperFrame

**ES-L:** Errored Seconds-Line  
**ES-P:** Errored Seconds-Path  
**EXZ:** The occurrence of 8 consecutive zeroes for B8ZS or 16 for AMI

## F

**FCON:** Framed Conversion of DS1 frame  
**FERR:** Framing Bit Error  
**FLDL:** Flash Download  
**FRMG:** DS1 Frame Formatting

## G

**GFD:** Ground Fault Detect

## H

**H2TU-R:** HiGain HDSL2 Remote Unit  
**HBER:** HDSL2 Block Error Rate  
**HCDS:** High Capacity Digital Service

## I

**ID:** Identification

## L

**LA:** Loop Attenuation  
**LAIS:** Line Alarm Indication Signal  
**LATT:** Loop Attenuation  
**LBTO:** Loopback Timeout  
**LED:** Light Emitting Diode  
**LLOS:** Local Loss of Signal  
**LOS:** Loss of Signal  
**LOSW:** Loss of Sync Word  
**LPBK:** SmartJack Loopback  
**LPF:** Line Power Feed  
**LRAI:** Remote Alarm Indicator

## M

**MAL:** Margin Alarm  
**MARG:** Margin Threshold

**MSEC:** Monitored Seconds

## N

**NLOC:** Network Local Loopback

**NMA:** Network Management and Administration

**NPRM:** Network PRM

**NREM:** Network Remote Loopback

## O

**OPTIS:** Overlapped PAM Transmission with  
Interlocking Spectra P

**PAM:** Pulse Amplitude Modulation

**PRM:** Performance Report Messaging

**PRMF:** Performance Report Messaging - Far End

**PRM-FE:** Performance Report Messaging - Far End

**PRMN:** Performance Report Messaging - Near End

**PRM-NE:** Performance Report Messaging - Near End

## R

**RAIS:** Remote Alarm Indication Signal

**RDA:** Remote Disconnect Alarm

**RLBO:** H2TU-R Line Buildout

**RLOS:** Remote Loss of Signal

**RRAI:** Remote Alarm Indication

## S

**SES:** Severely Errored Seconds

**SES-L:** Severely Errored Seconds - Line

**SES-P:** Severely Errored Seconds - Path

**SF:** SuperFrame

**SMJK:** SmartJack Loopback

**SPNn:** Span Number

**SPRM:** Supplemental PRM

## T

**TRCI:** TX RAI-CI Indication - Customer Installation

**TUC:** Transmission Unit Central Office

**TUR:** Transmission Unit Remote End

## U

**UAS:** Unavailable Errored Seconds

**UNFR:** Unframed

# CERTIFICATION AND WARRANTY

## FCC CLASS A COMPLIANCE

This equipment has been tested and found to comply with the limits for a Class A digital device, pursuant to Part 15 of the FCC Rules. These limits are designed to provide reasonable protection against harmful interference when the equipment is operated in a commercial environment. This equipment generates, uses, and can radiate radio frequency energy and, if not installed and used in accordance with the instruction manual, may cause harmful interference to radio communications. Operation of this equipment in a residential area is likely to cause harmful interference in which case the user will be required to correct the interference at his own expense.

## LIMITED WARRANTY

ADC DSL Systems, Incorporated (“ADC”) warrants that, for a period of twelve (12) months from the date of shipment, the hardware portion of its products will be free of material defects and faulty workmanship under normal use. ADC’s obligation, under this warranty, is limited to replacing or repairing, at ADC’s option, any such hardware product which is returned during the 12-month warranty period per ADC’s instructions and which product is confirmed by ADC not to comply with the foregoing warranty.

ADC warrants that, for a period of 90 days from the date of purchase, the software furnished with its products will operate substantially in accordance with the ADC published specifications and documentation for such software. ADC’s entire liability for software that does not comply with the foregoing warranty and is reported to ADC during the 90-day warranty period is, at ADC’s option, either (a) return of the price paid or (b) repair or replace of the software. ADC also warrants that, for a period of thirty (30) days from the date of purchase, the media on which software is stored will be free from material defects under normal use. ADC will replace defective media at no charge if it is returned to ADC during the 30-day warranty period along with proof of the date of shipment.

The transportation charges for shipment of returned products to ADC will be prepaid by the Buyer. ADC will pay transportation charges for shipment of replacement products to Buyer, unless no trouble is found (NTF), in which case the Buyer will pay transportation charges.

ADC may use reconditioned parts for such repair or replacement. This warranty *does not* apply to any product which has been repaired, worked upon, or altered by persons not authorized by ADC or in ADC’s sole judgment has subjected to misuse, accident, fire or other casualty, or operation beyond its design range.

Repaired products have a 90-day warranty, or until the end of the original warranty period—whichever period is greater.

ADC DISCLAIMS ALL OTHER WARRANTIES, EITHER EXPRESS OR IMPLIED, INCLUDING BUT NOT LIMITED TO IMPLIED WARRANTIES OF MERCHANTABILITY AND FITNESS FOR A PARTICULAR PURPOSE, WITH RESPECT TO ITS PRODUCTS AND ANY ACCOMPANYING WRITTEN MATERIALS. FURTHER, ADC DOES NOT WARRANT THAT SOFTWARE WILL BE FREE FROM BUGS OR THAT ITS USE WILL BE UNINTERRUPTED OR REGARDING THE USE, OR THE RESULTS OF THE USE, OF THE SOFTWARE IN TERMS OF CORRECTNESS, ACCURACY, RELIABILITY OR OTHERWISE.

## SAFETY STANDARDS COMPLIANCE

The H2TU-C-319 List 6 has been tested and verified to comply with the applicable sections of the following safety standards:

- GR 63-CORE - Network Equipment-Building System (NEBS) Requirements
- GR 1089-CORE - Electromagnetic Compatibility and Electrical Safety
- Binational standard, UL-1950/CSA-C22.2 No. 950-95: Safety of Information Technology Equipment

For technical assistance, refer to “Appendix D - Product Support” on page 58.

**ADC DSL Systems, Inc.**

14402 Franklin Avenue  
Tustin, CA 92780-7013

Tel: 714.832.9922

Fax: 714.832.9924

**Technical Assistance**

800.638.0031

714.730.3222



DOCUMENT: LTPH-TP-1054-01, ISSUE 1



1179817

